



36X9m Greenhouse Plan

Client:

Location:

Project:

Category details:

Project manager: Gavin

Proofreading: Jim

Designer: Gavin

Cartographer: Carl

Verify: Gavin

Version: 2015.10.005

Project No.

Date of drawing



汇发机械
HUIFA MACHINERY

ZHENGZHOU HUIFA MACHINERY CO.LTD.
NO.1912, 19TH FLOOR BUILDING
3,NO 131 JIANYE ROAD,JINSHUI DISTRICT,
ZHENGZHOU CITY
Phone: +86 3716027 1693
Mobile: +86 153 4381 0001
Email: tech@hfgreenhouse.com
www. hfgreenhouse.com

Copyright 2015.10
本图版权归郑州汇发机械设备有限公司所有。除本工程外对本图的任何其它用途和复制，必须获得本公司的书面许可。

THE OWNERSHIP OF THE COPYRIGHT IN THIS DRAWING IS RETAINED BY ZHENGZHOU HUIFA MACHINERY CO., LTD. WRITTEN CONSENT MUST BE OBTAINED BEFORE ANY USE OR REPRODUCTION OF THE DRAWING.

1. Design display

1. Relevant information provided by the other party, planning plan and construction plan approved by the other party and related departments.

2. The 2009 edition of the relevant national planning and design standards and specifications.

"National Civil Building Design Technical Measures" 2009 edition

"Code for Fire Protection Design of Buildings" GB50016-2014

"Industrial Building Deviation Design Code" GB50046-2008

"Code for Building Ground Design" GB 50037-2013

"Technical Specification for Roofing Engineering" GB50345-2012

2. Project summary

1. Construction site: Thailand

2. This project is 36X9 meters sunlight and belongs to the greenhouse. The production hazard category is D, the fire resistance level is second, and the shape is marked. The non-fire limit of the character is as follows: column (non-combustibility) 2.5h, beam (non-combustibility) 1.5h, Roof load-bearing special (non-combustible) 1.0h

3. Design service life: reasonable and safe use, main structure 5 years. Seismic fortification intensity: 7 degrees.

4. Building area: 324m². Building storeys: one storey; storey height: 6.2m.

3. Description of fire protection design

1. This project is a single-story light steel structure, and the maneuverability with other surrounding buildings meets the requirements of the code.

2. The building wisdom meets the specification requirements.

3. The first floor of this project is 1 partition with 3888m²

Four, roofing works

1. The specification of the water tank is $\delta=150 \times 130 \times 35 \times 3.5$ mm, the maximum displacement is 140mm/h, the slope of the water drainage tank is 5%, and the water pipe. It is UPVC with a diameter of 110mm.

2. The top is covered with 8mm PC sunshine board.

Five, elevation, size unit

1. This project 0.000 is equivalent to the absolute elevation, see the general plan, and the indoor and outdoor elevation difference is 0.15m.

2. The dimensions in this project except for the elevation are in meters (mm).

Six, wall engineering

1. The concrete brick wall is 240mm thick if the elevation is below 0.500 meters,

2. The outer wall of 0.600 meters or more adopts 8mm PC board as follows, the specific construction principle:

1) Using 8mm solar panels, the initial light transmittance is more than 80%, and the service life is more than 10 years.

2) Supplement for summoning assistance: High-strength alloy profile fixation. It is manufactured according to the national standard (GB537.1~5237.5-200000 summoned building type), and the material is subjected to a 6061 high-intensity load. Adopt top surface contact treatment. The thickness of the oxide film is higher than the national standard. Do strengthen processing. The roof top is anti-storm design, with a tendency of 22+1.

3) Sealing rubber strip: The sealing strip between the glass and the penetrating profile adopts an EPDM strip that is resistant to the sun, which is not easy to disinfect, has good sealing performance, and has good professional blood performance.

7. Project description

1. The size of doors and windows pops up in the hole. The size of the door and window must be adjusted before on-site construction, and installation information must be left during production.

2. The design only shows the division of the facade, the opening method and the size of the opening. The opening direction of each door and window can be referred to the floor plan of the building.

3. The wind pressure resistance of the exterior window is level 2, the watertight performance is level 3; the air sound insulation performance is level 3.

Eight, the use of drawing pictures

1. When the design adopts diagrams, general diagrams, standard nodes or all detailed diagrams, the relevant nodes and related nodes and instructions in the atlas should be fully coordinated with the construction.

2. When designing with reference to a standard drawing, the original window should have the strength calculated by the manufacturer, and it should meet the requirements of beauty, sturdiness, and safe use. The construction unit shall carry out the rest according to the standard drawing and design requirements.

9. Other

1. During the construction process of each professional, please cooperate with each professional work type, and the design and the actual site can be started without error.

2. The description and design complement each other, and the company's various professions should be strictly committed during construction.

3. If any errors, omissions, bumps, deficiencies and failures in the design are found, the construction unit and construction unit should contact the designer in time.

4. The unspecified design requirements below are subject to construction acceptance in accordance with national arrangements and relevant standards.

5. The construction drawings of this project are for the export of the civil works. The internal shading system, roof opening system, fan curtain wet cleaning system, power distribution system, internal circulation system, and Internet of Things control system are designed and manufactured by the unit designated by the construction party for window tools.

Client:

Location:

Project:

Category details:

Project manager:	Gavin
Proofreading:	Jim
Designer:	Gavin
Cartographer:	Carl
Verify:	Gavin

Version: 2015.10.005

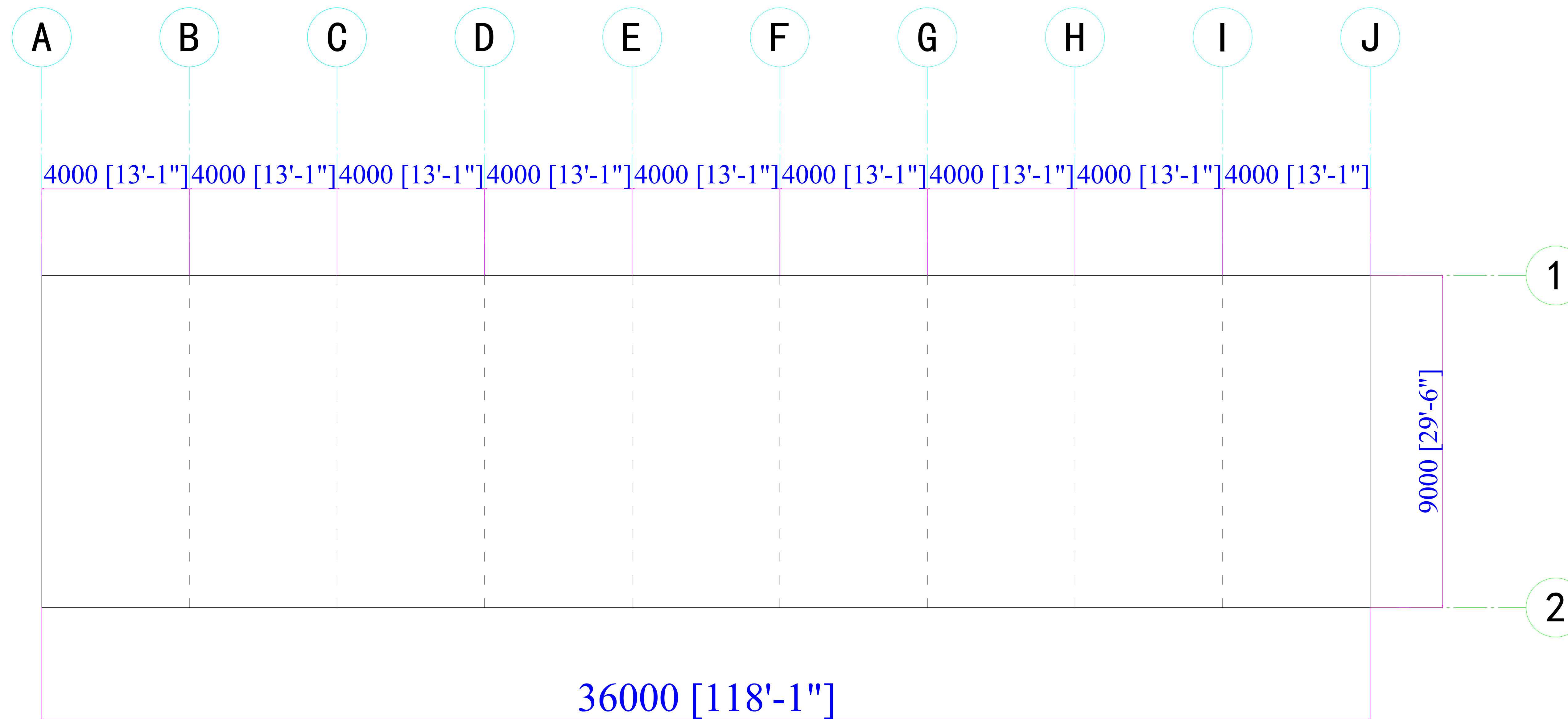
Project No.

Date of drawing



ZHENGZHOU HUIFA MACHINERY
CO.,LTD.
NO.1912, 19TH FLOOR BUILDING
3,NO 131 JIANYE
ROAD,JINSHUI DISTRICT,
ZHENGZHOU CITY
Phone: +86 3716027 1693
Mobile: +86 153 4381 0001
Email: tech@hfgreenhouse.com
www.hfgreenhouse.com

Copyright 2015.10
本图版权归郑州汇发机械设备有限公司
所有。除本工程外对本图的任何其它用途和
复制。必须获得本公司的书面许可。
THE OWNERSHIP OF THE COPYRIGHT IN THIS
DRAWING IS RETAINED BY ZHENGZHOU HUI-
MACHINERY CO., LTD. WRITTEN CONSENT -
MUST BE OBTAINED BEFORE ANY USE OR
REPRODUCTION OF THE DRAWING.



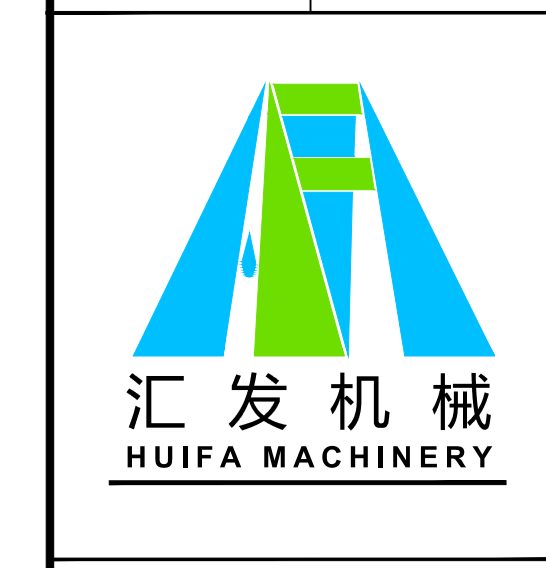
Main unit: mm
Conversion unit: ft

GENERAL PLAN

Client:
Location:
Project:









Category details:

Project manager:	Gavin
Proofreading:	Jim
Designer:	Gavin
Cartographer:	Carl
Verify:	Gavin
Version:	2015.10.005
Project No.	
Date of drawing	



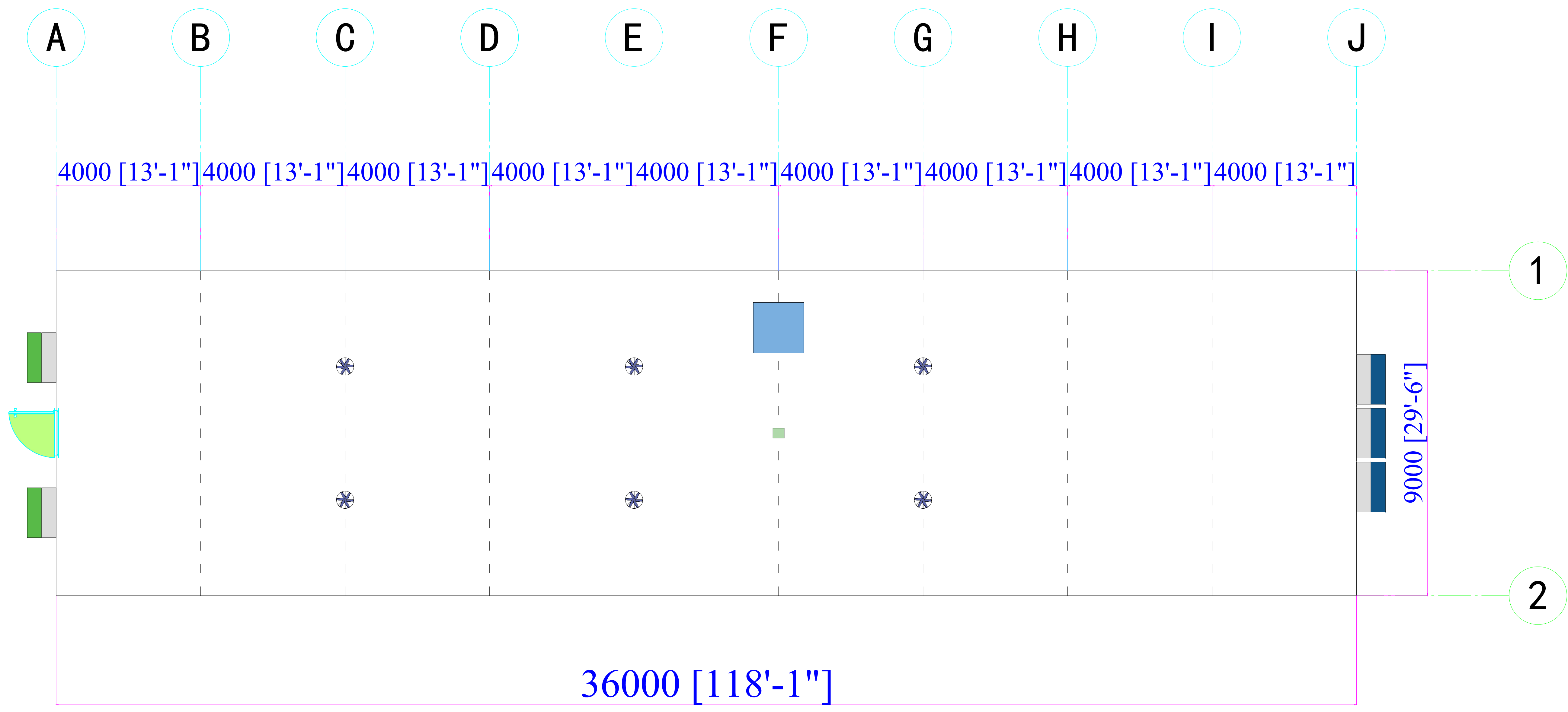
ZHENGZHOU HUIFA MACHINERY CO.LTD.
NO.1912, 19TH FLOOR BUILDING
3,NO 131 JIANYE ROAD,JINSHUI DISTRICT,
ZHENGZHOU CITY
Phone: +86 3716027 1693
Mobile: +86 153 4381 0001
Email: tech@hfgreenhouse.com
www. hfgreenhouse.com

Copyright 2015.10
本图版权归郑州汇发机械设备有限公司所有。除本工程外对本图的任何其它用途和复制，必须获得本公司的书面许可。
THE OWNERSHIP OF THE COPYRIGHT IN THIS DRAWING IS RETAINED BY ZHENGZHOU HUIFA MACHINERY CO., LTD. WRITTEN CONSENT MUST BE OBTAINED BEFORE ANY USE OR REPRODUCTION OF THE DRAWING.

DESCRIPTION		QTY
LOUVER SHUTTER WITH LIGHT TRAPS	 	3
54" EXHAUST FANS WITH LIGHT TRAPS	 	2
DEHUMIDIFIER		1
BLACKOUT MOTOR		1
CIRCULATION FAN	 	6

Client:
Location:
Project:
Category details:

Project manager:	Gavin
Proofreading:	Jim
Designer:	Gavin
Cartographer:	Carl
Verify:	Gavin
Version:	2015.10.005
Project No.	
Date of drawing	

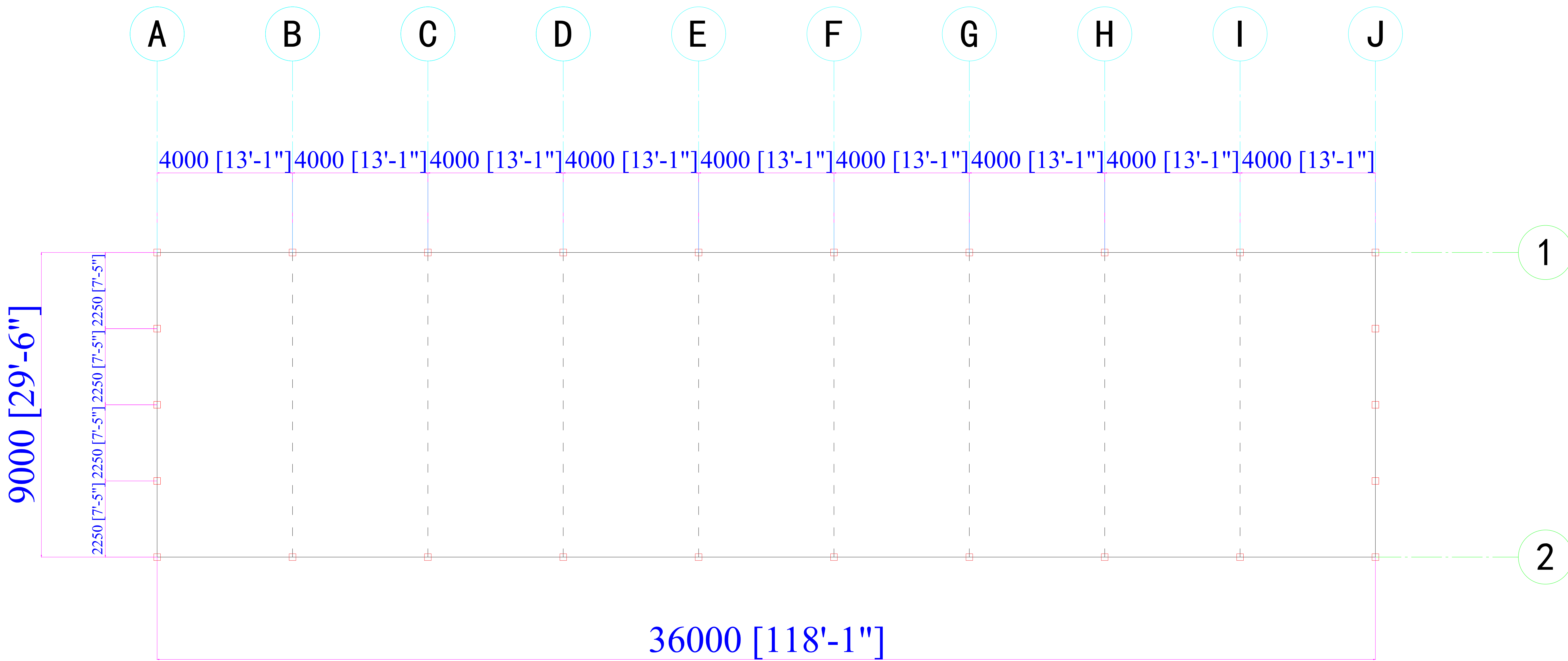


ZHENGZHOU HUIFA MACHINERY CO.LTD.
NO.1912, 19TH FLOOR BUILDING
3,NO 131 JIANYE ROAD,JINSHUI DISTRICT,
ZHENGZHOU CITY
Phone: +86 3716027 1693
Mobile: +86 153 4381 0001
Email: tech@hfgreenhouse.com
www. hfgreenhouse.com

Copyright 2015.10
本图版权归郑州汇发机械设备有限公司所有。除本工程外对本图的任何其它用途和复制，必须获得本公司的书面许可。
THE OWNERSHIP OF THE COPYRIGHT IN THIS DRAWING IS RETAINED BY ZHENGZHOU HUIFA MACHINERY CO., LTD. WRITTEN CONSENT - MUST BE OBTAINED BEFORE ANY USE OR REPRODUCTION OF THE DRAWING.

EQUIPMENT PLAN

Main unit: mm
Conversion unit: ft



Main unit: mm
Conversion unit: ft

COLUMN PLAN

Client:
Location:
Project:

Category details:

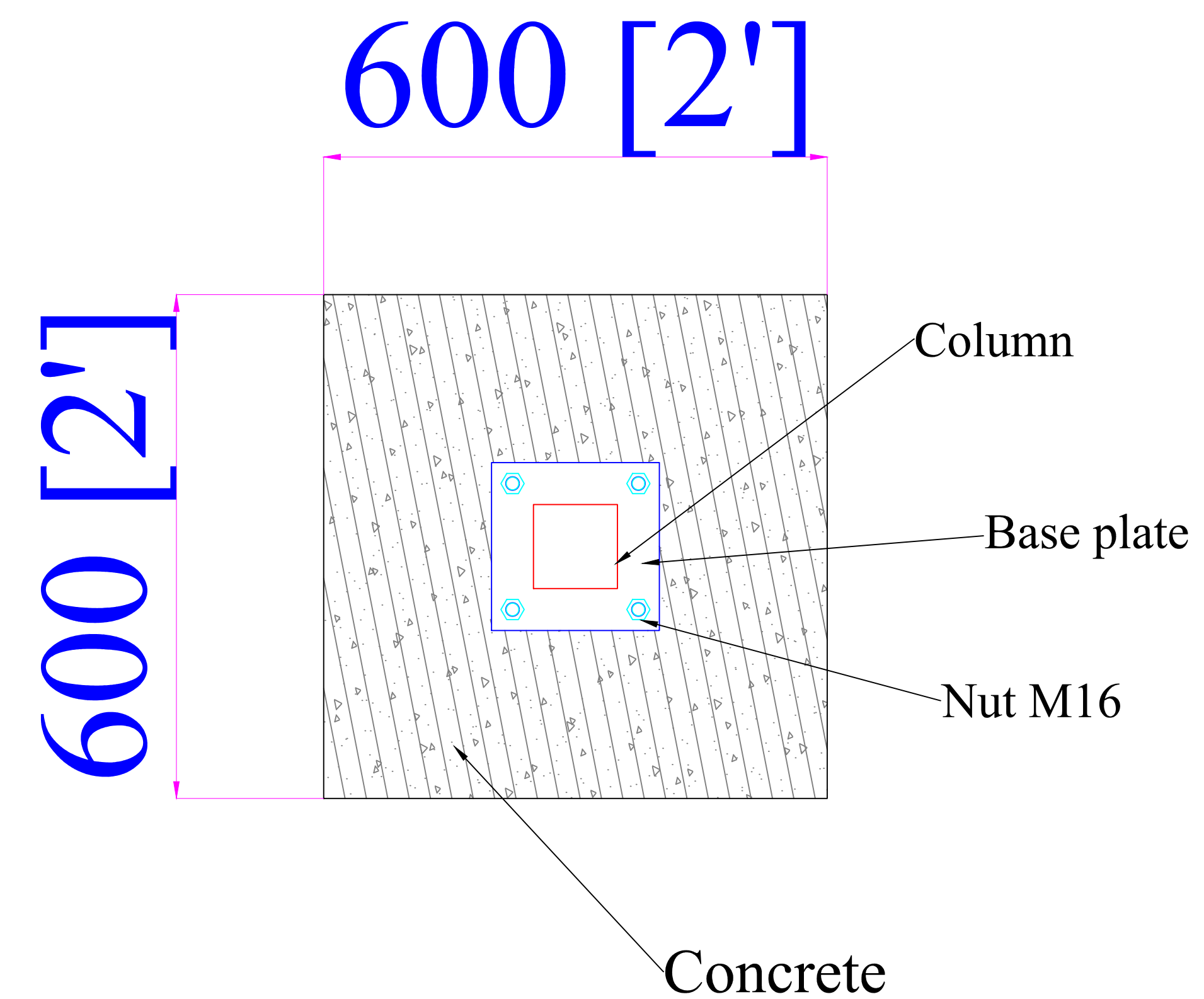
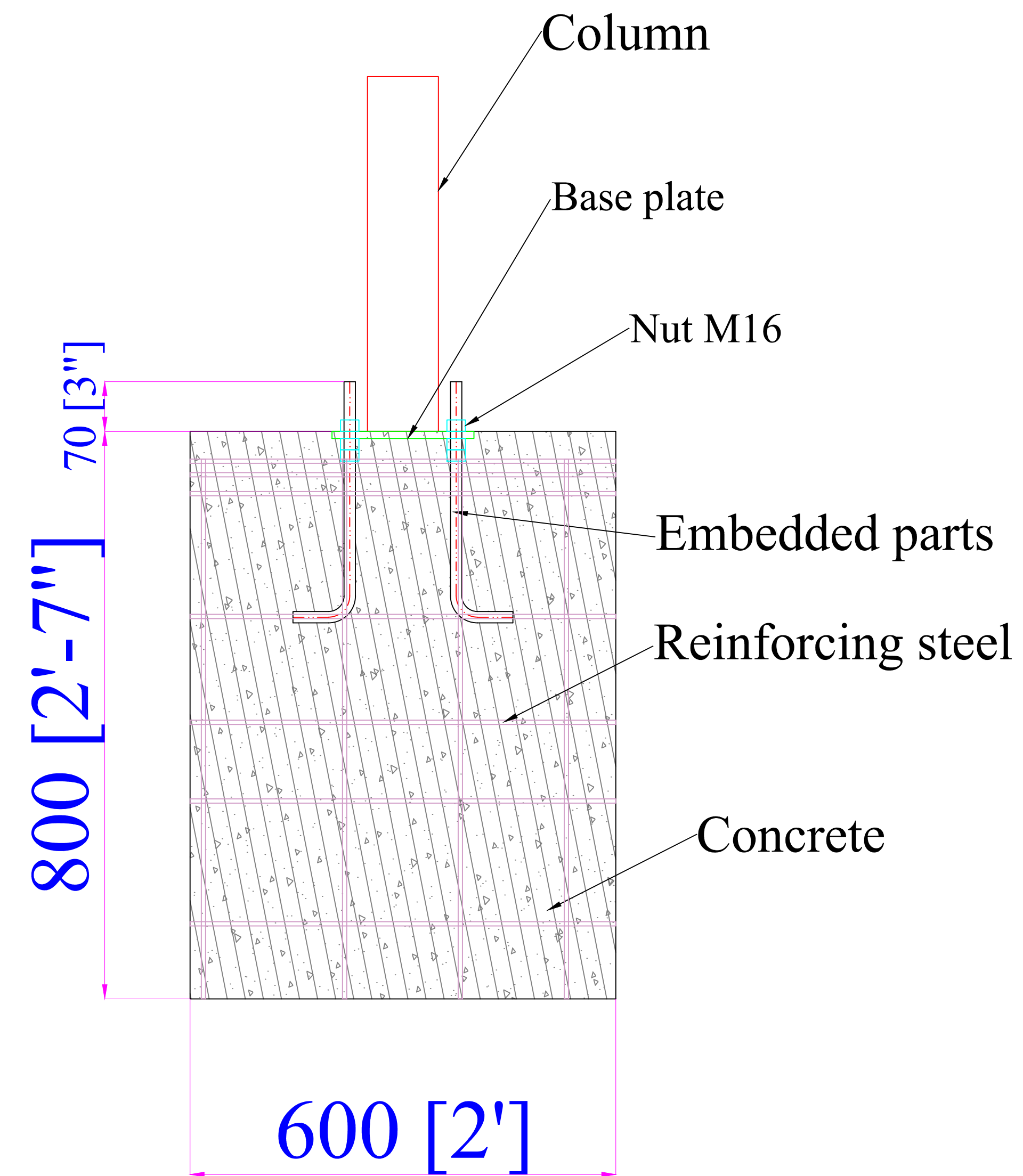
Project manager:	Gavin
Proofreading:	Jim
Designer:	Gavin
Cartographer:	Carl
Verify:	Gavin
Version:	2015.10.005
Project No.	
Date of drawing	



ZHENGZHOU HUIFA MACHINERY CO.LTD.
NO.1912, 19TH FLOOR BUILDING
3,NO 131 JIANYE ROAD,JINSHUI DISTRICT,
ZHENGZHOU CITY
Phone: +86 3716027 1693
Mobile: +86 153 4381 0001
Email: tech@hfgreenhouse.com
www. hfgreenhouse.com

Copyright 2015.10
本图版权归郑州汇发机械设备有限公司所有。除本工程外对本图的任何其它用途和复制，必须获得本公司的书面许可。
THE OWNERSHIP OF THE COPYRIGHT IN THIS DRAWING IS RETAINED BY ZHENGZHOU HUIFA MACHINERY CO., LTD. WRITTEN CONSENT MUST BE OBTAINED BEFORE ANY USE OR REPRODUCTION OF THE DRAWING.

FOUNDATION



The base plate and the column are welded together.

Client:

Location:

Project:

Category details:

Project manager: Gavin

Proofreading: Jim

Designer: Gavin

Cartographer: Carl

Verify: Gavin

Version: 2015.10.005

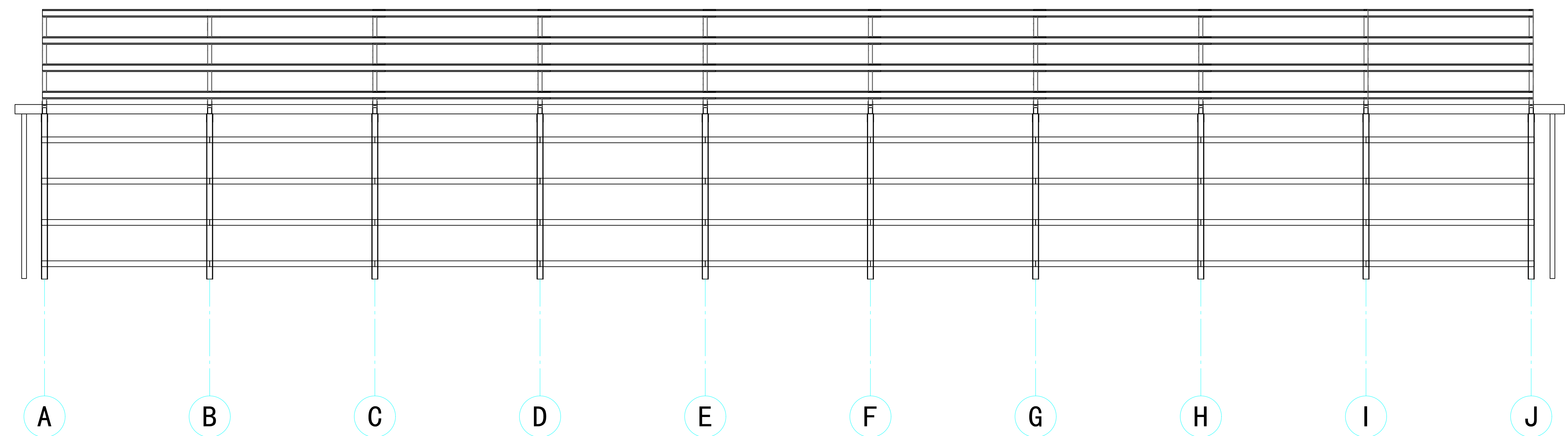
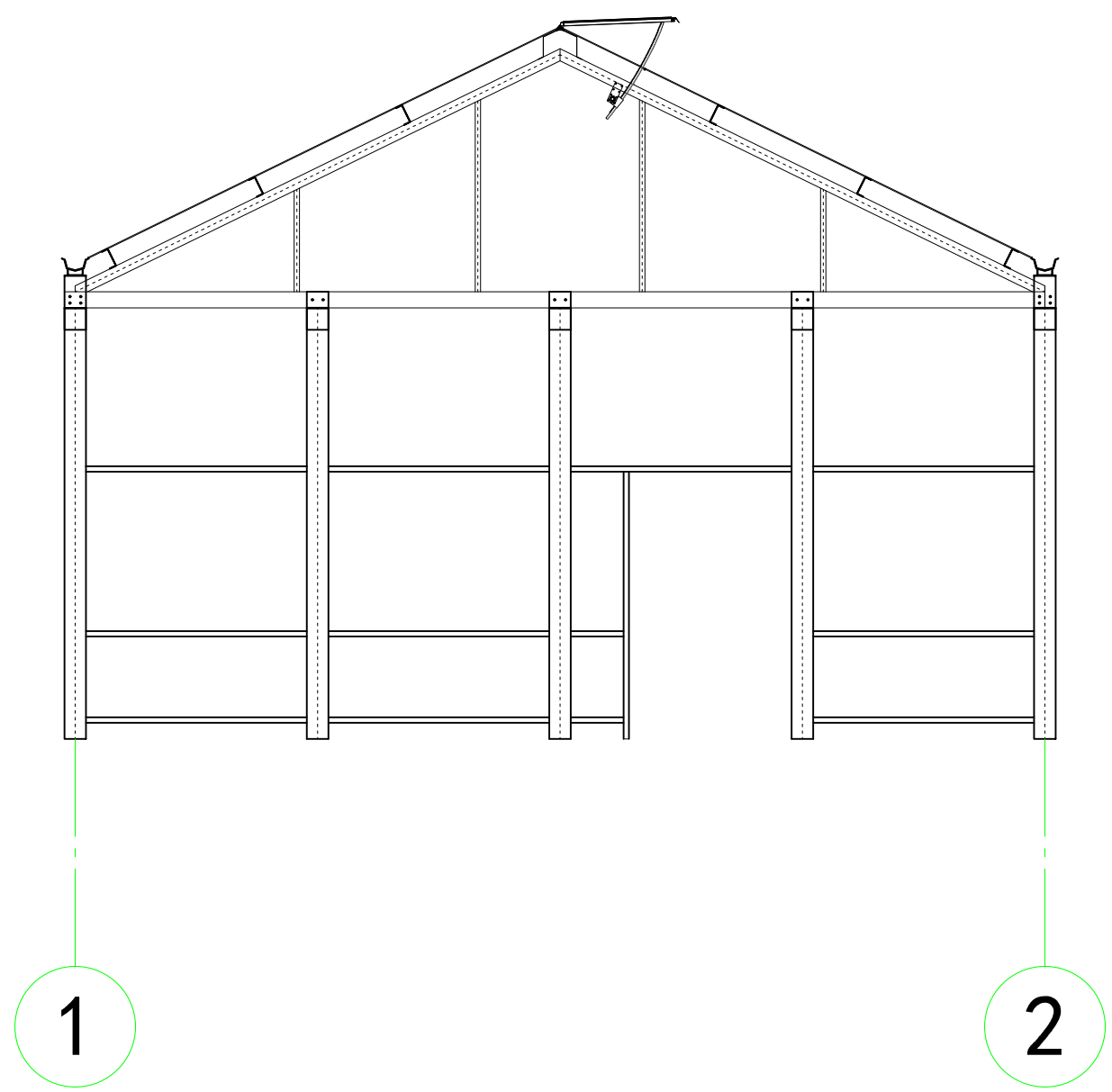
Project No.

Date of drawing



ZHENGZHOU HUIFA MACHINERY CO.,LTD.
NO.1912, 19TH FLOOR BUILDING
3,NO 131 JIANYE ROAD,JINSHUI DISTRICT,
ZHENGZHOU CITY
Phone: +86 3716027 1693
Mobile: +86 153 4381 0001
Email: tech@hfgreenhouse.com
www.hfgreenhouse.com

Copyright 2015.10
本图版权归郑州汇发机械设备有限公司所有。除本工程外对本图的任何其它用途和复制，必须获得本公司的书面许可。
THE OWNERSHIP OF THE COPYRIGHT IN THIS DRAWING IS RETAINED BY ZHENGZHOU HUIFA MACHINERY CO., LTD. WRITTEN CONSENT MUST BE OBTAINED BEFORE ANY USE OR REPRODUCTION OF THE DRAWING.



SECTION A1

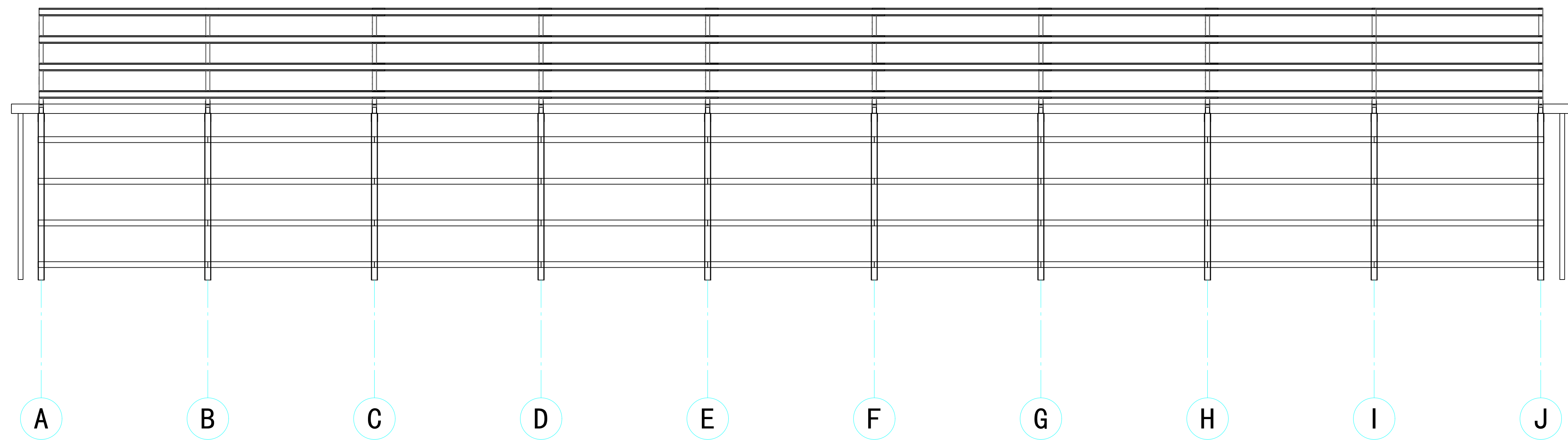
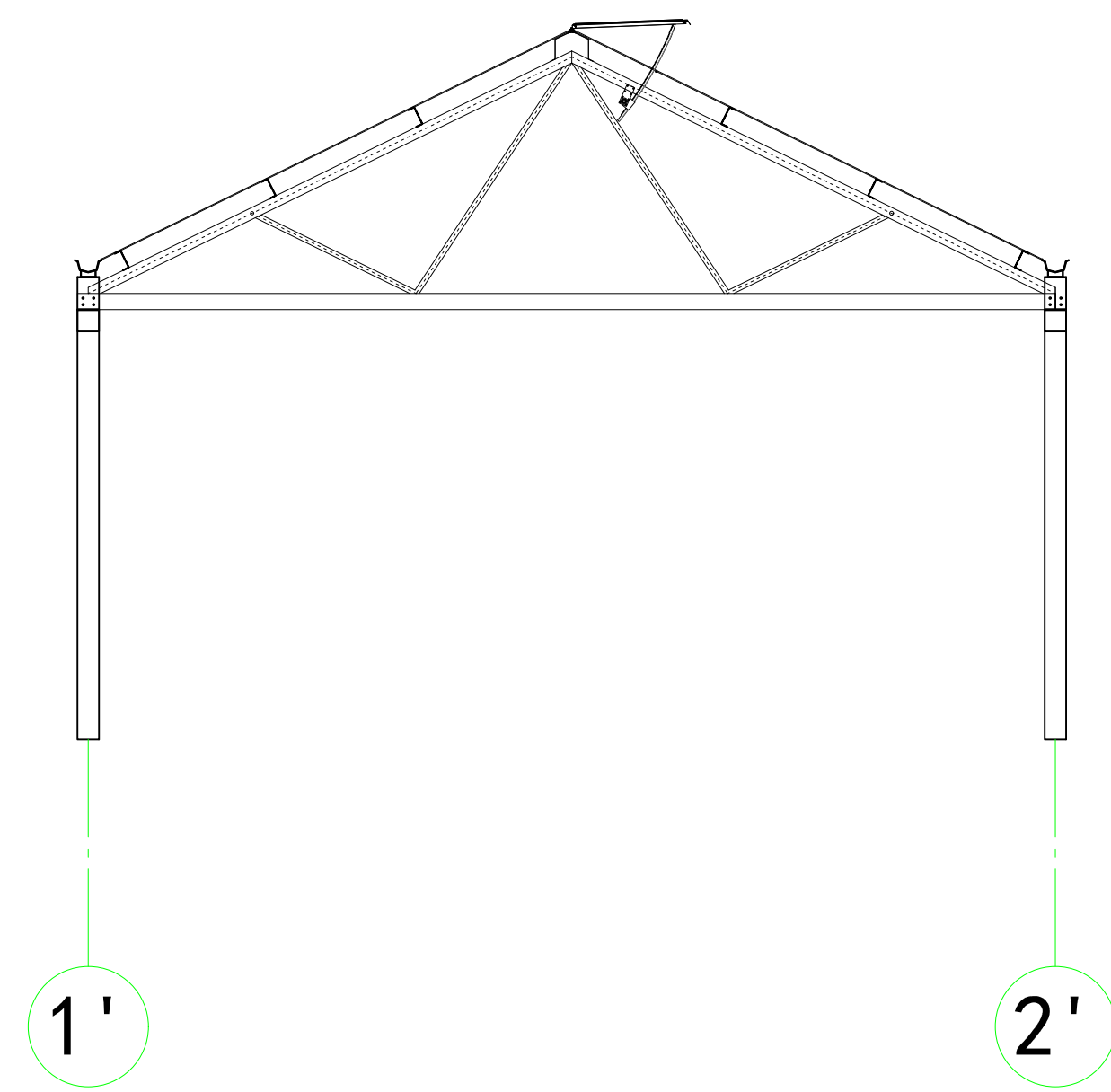
Client:	
Location:	
Project:	
Category details:	

Project manager:	Gavin
Proofreading:	Jim
Designer:	Gavin
Cartographer:	Carl
Verify:	Gavin
Version:	2015. 10. 005
Project No.	
Date of drawing	



ZHENGZHOU HUIFA MACHINERY CO.LTD.
 NO.1912, 19TH FLOOR BUILDING
 3,NO 131 JIANYE ROAD,JINSHUI DISTRICT,
 ZHENGZHOU CITY
 Phone: +86 3716027 1693
 Mobile: +86 153 4381 0001
 Email: tech@hfgreenhouse.com
 www.hfgreenhouse.com

Copyright 2015.10
 本图版权归郑州汇发机械设备有限公司所有。除本工程外对本图的任何其它用途和复制，必须获得本公司的书面许可。
 THE OWNERSHIP OF THE COPYRIGHT IN THIS DRAWING IS RETAINED BY ZHENGZHOU HUIFA MACHINERY CO., LTD. WRITTEN CONSENT MUST BE OBTAINED BEFORE ANY USE OR REPRODUCTION OF THE DRAWING.



SECTION B1

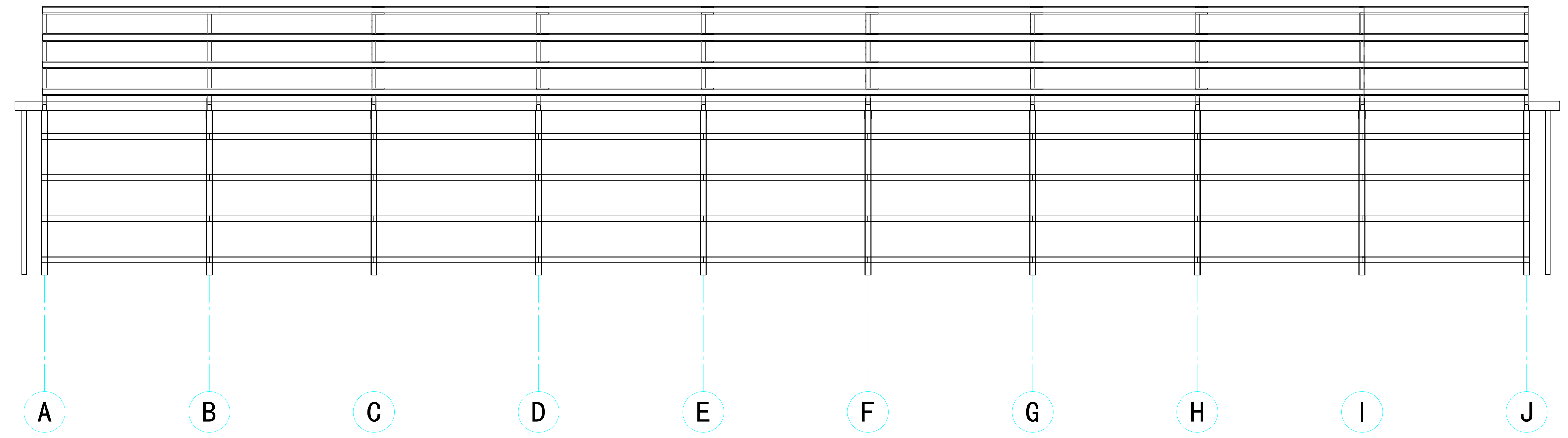
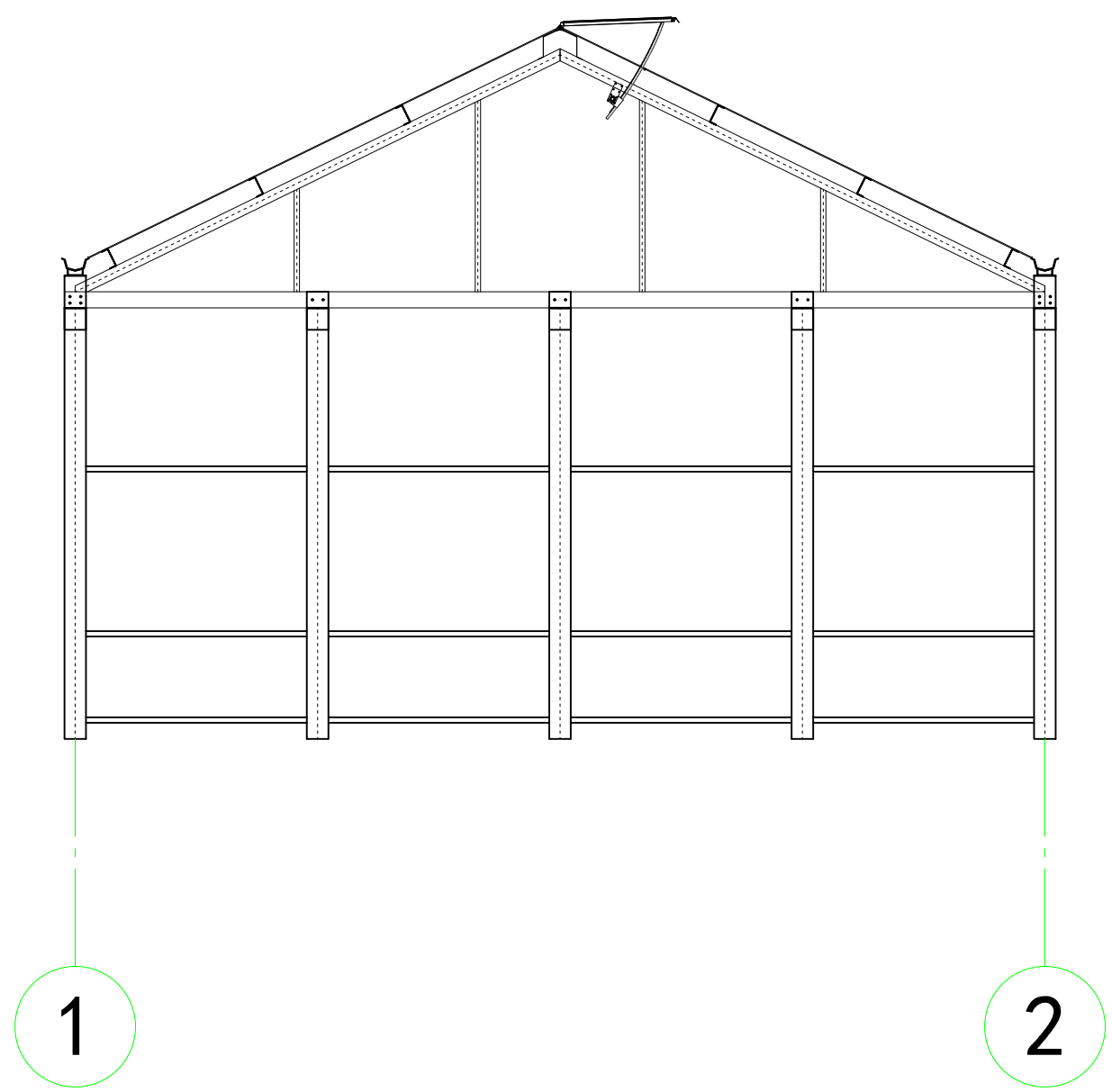
Client:	
Location:	
Project:	
Category details:	

Project manager:	Gavin
Proofreading:	Jim
Designer:	Gavin
Cartographer:	Carl
Verify:	Gavin
Version:	2015.10.005
Project No.	
Date of drawing	



ZHENGZHOU HUIFA MACHINERY CO.LTD.
 NO.1912, 19TH FLOOR BUILDING
 3,NO 131 JIANYE ROAD,JINSHUI DISTRICT,
 ZHENGZHOU CITY
 Phone: +86 3716027 1693
 Mobile: +86 153 4381 0001
 Email: tech@hfgreenhouse.com
 www.hfgreenhouse.com

Copyright 2015.10
 本图版权归郑州汇发机械设备有限公司所有。除本工程外对本图的任何其它用途和复制，必须获得本公司的书面许可。
 THE OWNERSHIP OF THE COPYRIGHT IN THIS DRAWING IS RETAINED BY ZHENGZHOU HUIFA MACHINERY CO., LTD. WRITTEN CONSENT MUST BE OBTAINED BEFORE ANY USE OR REPRODUCTION OF THE DRAWING.



SECTION J1

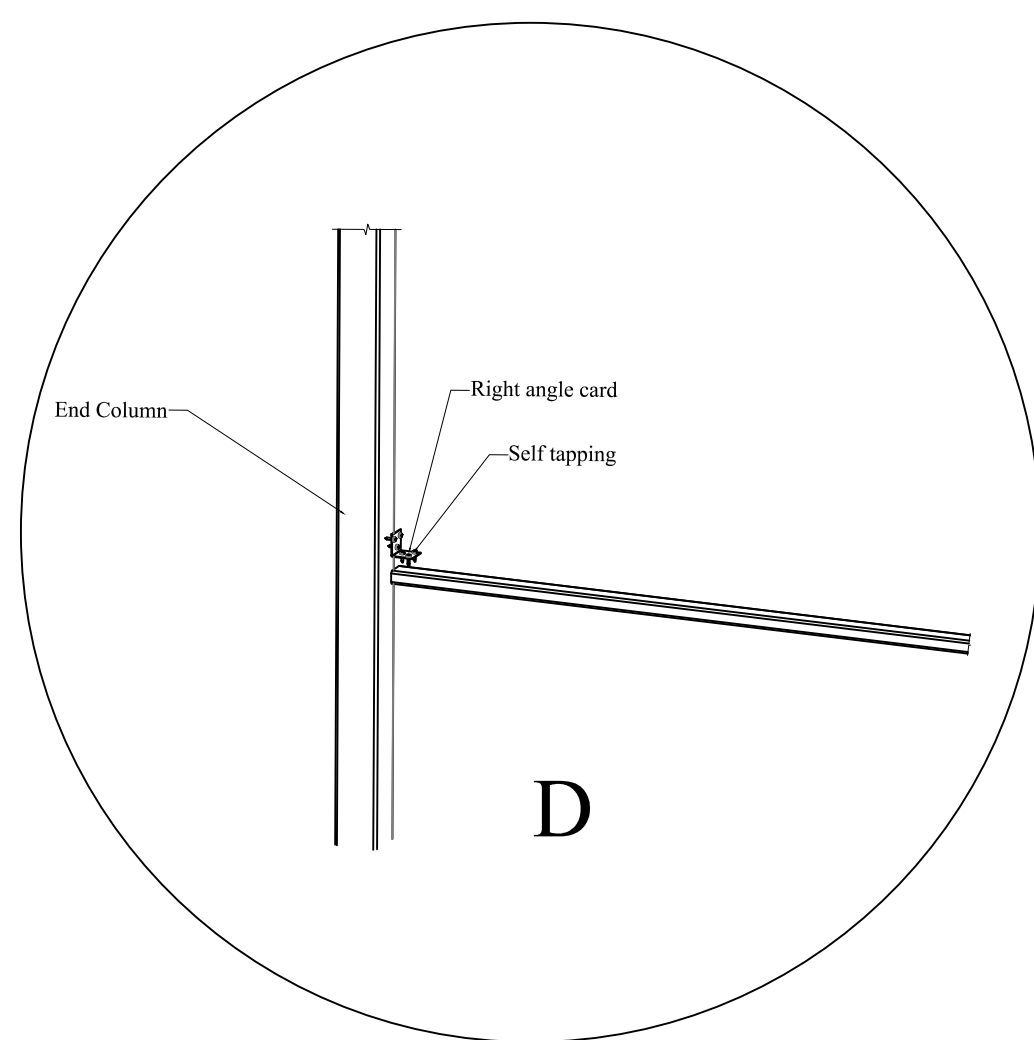
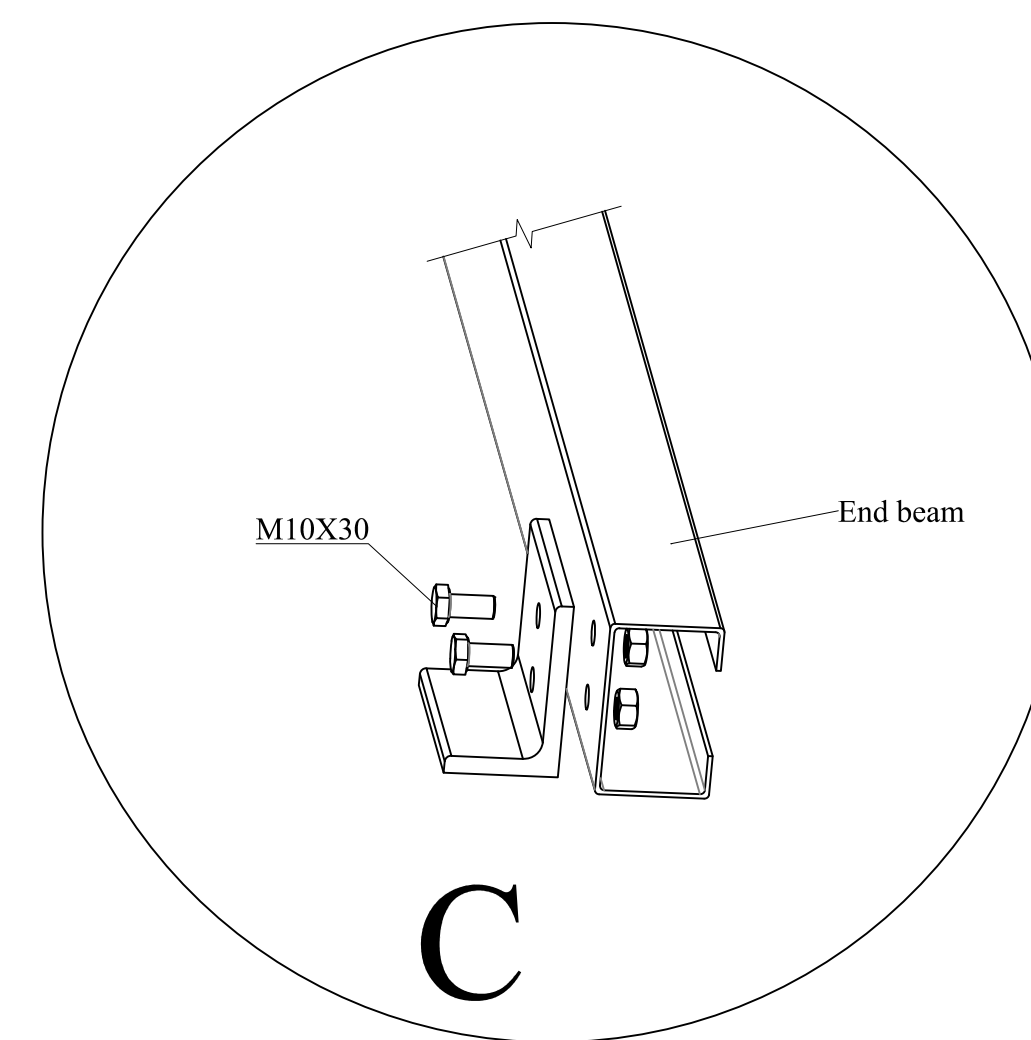
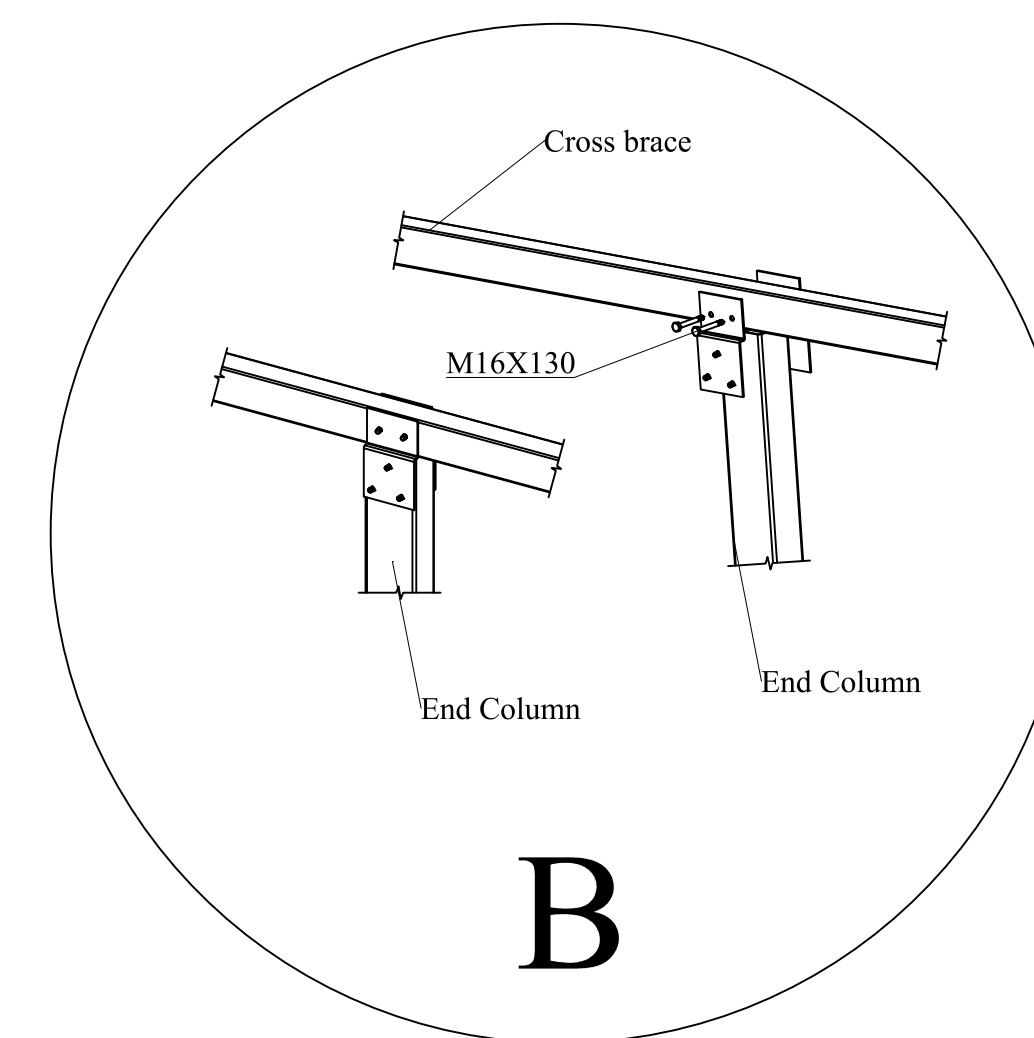
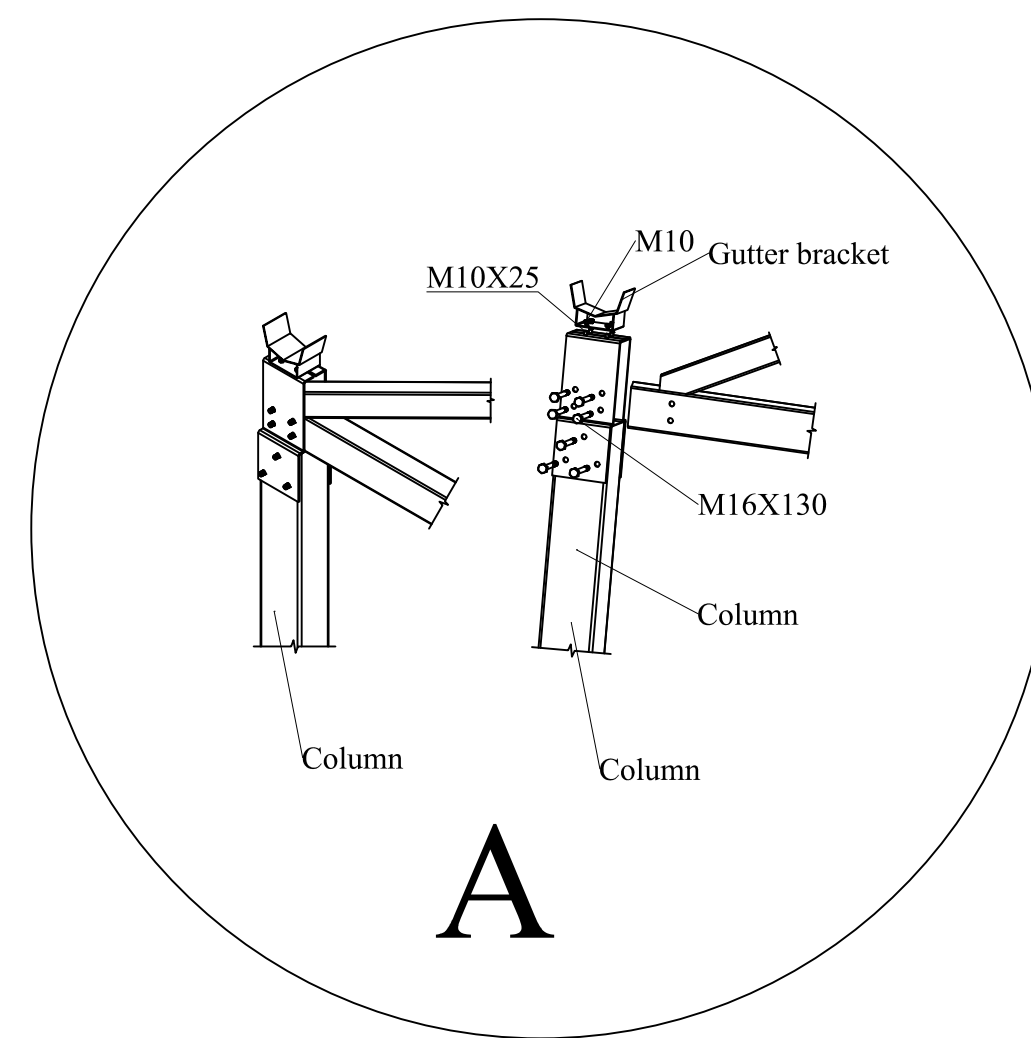
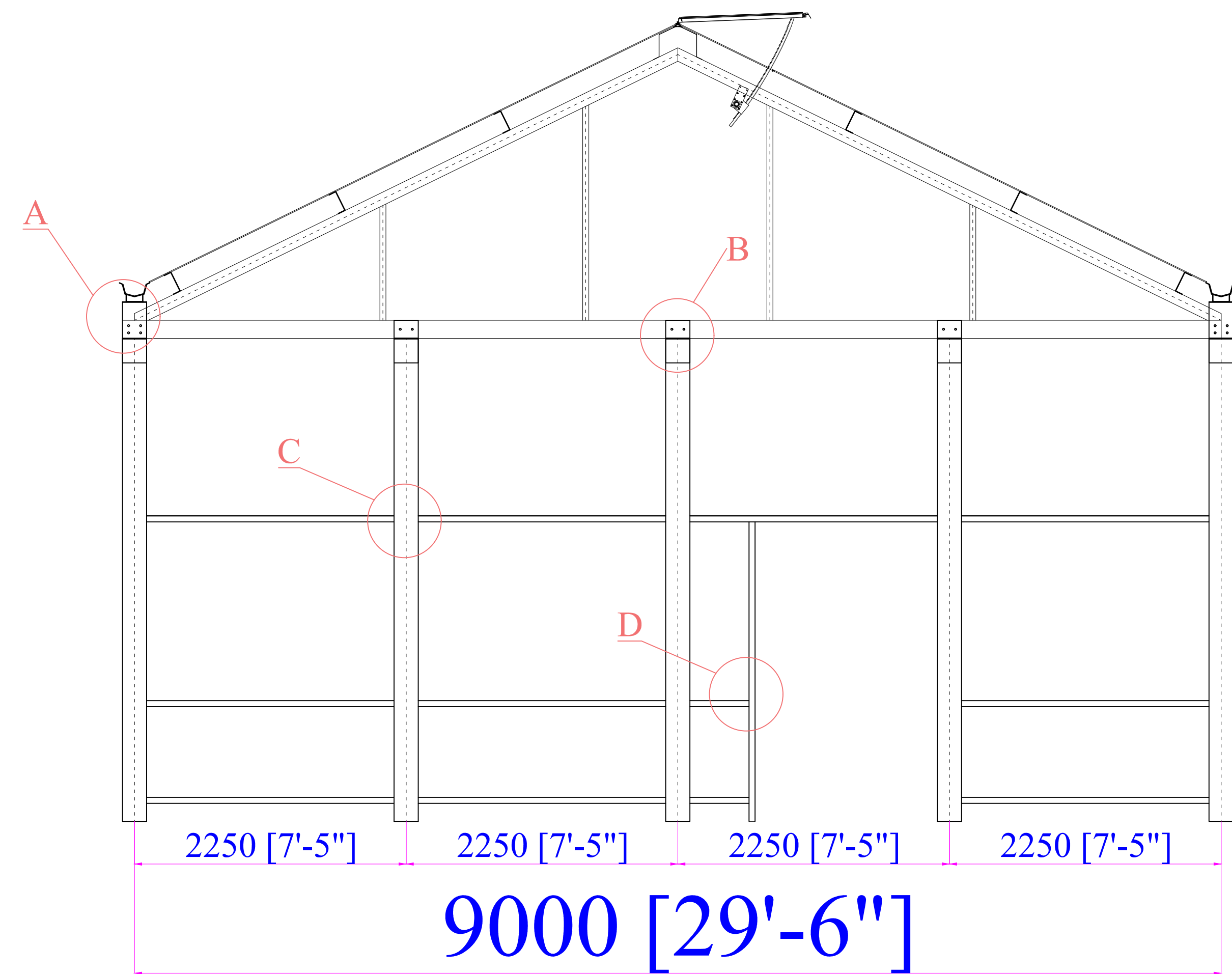
Client:	
Location:	
Project:	
Category details:	

Project manager:	Gavin
Proofreading:	Jim
Designer:	Gavin
Cartographer:	Carl
Verify:	Gavin
Version:	2015. 10. 005
Project No.	
Date of drawing	



ZHENGZHOU HUIFA MACHINERY CO.LTD.
 NO.1912, 19TH FLOOR BUILDING
 3,NO 131 JIANYE ROAD,JINSHUI DISTRICT,
 ZHENGZHOU CITY
 Phone: +86 3716027 1693
 Mobile: +86 153 4381 0001
 Email: tech@hfgreenhouse.com
 www. hfgreenhouse.com

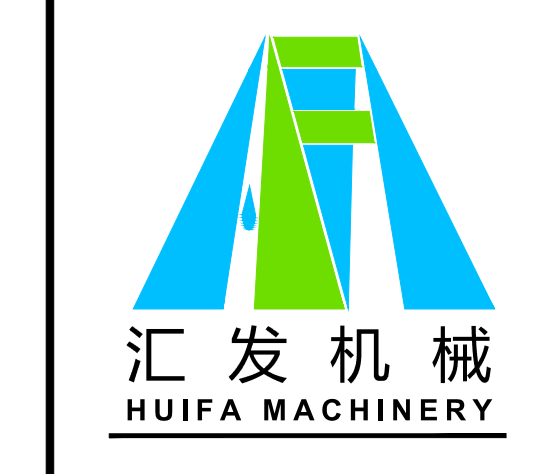
Copyright 2015.10
 本图版权归郑州汇发机械设备有限公司所有。除本工程外对本图的任何其它用途和复制，必须获得本公司的书面许可。
 THE OWNERSHIP OF THE COPYRIGHT IN THIS DRAWING IS RETAINED BY ZHENGZHOU HUIFA MACHINERY CO., LTD. WRITTEN CONSENT MUST BE OBTAINED BEFORE ANY USE OR REPRODUCTION OF THE DRAWING.



INSTALL NODE

Client:	
Location:	
Project:	
Category details:	

Project manager:	Gavin
Proofreading:	Jim
Designer:	Gavin
Cartographer:	Carl
Verify:	Gavin
Version:	2015.10.005
Project No.:	
Date of drawing:	



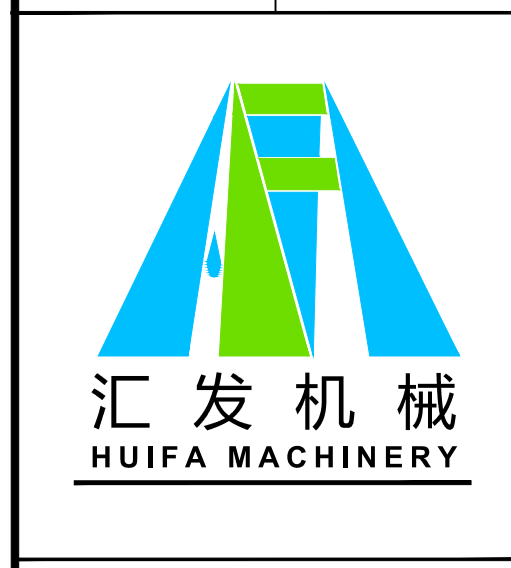
ZHENGZHOU HUIFA MACHINERY CO.LTD.
 NO.1912, 19TH FLOOR BUILDING
 3,NO 131 JIANYE ROAD,JINSHUI DISTRICT,
 ZHENGZHOU CITY
 Phone: +86 3716027 1693
 Mobile: +86 153 4381 0001
 Email: tech@hfgreenhouse.com
 www.hfgreenhouse.com

Copyright 2015.10
 本图版权归郑州汇发机械设备有限公司所有。除本工程外对本图的任何其它用途和复制，必须获得本公司的书面许可。
 THE OWNERSHIP OF THE COPYRIGHT IN THIS DRAWING IS RETAINED BY ZHENGZHOU HUIFA MACHINERY CO., LTD. WRITTEN CONSENT MUST BE OBTAINED BEFORE ANY USE OR REPRODUCTION OF THE DRAWING.

Client:
Location:
Project:

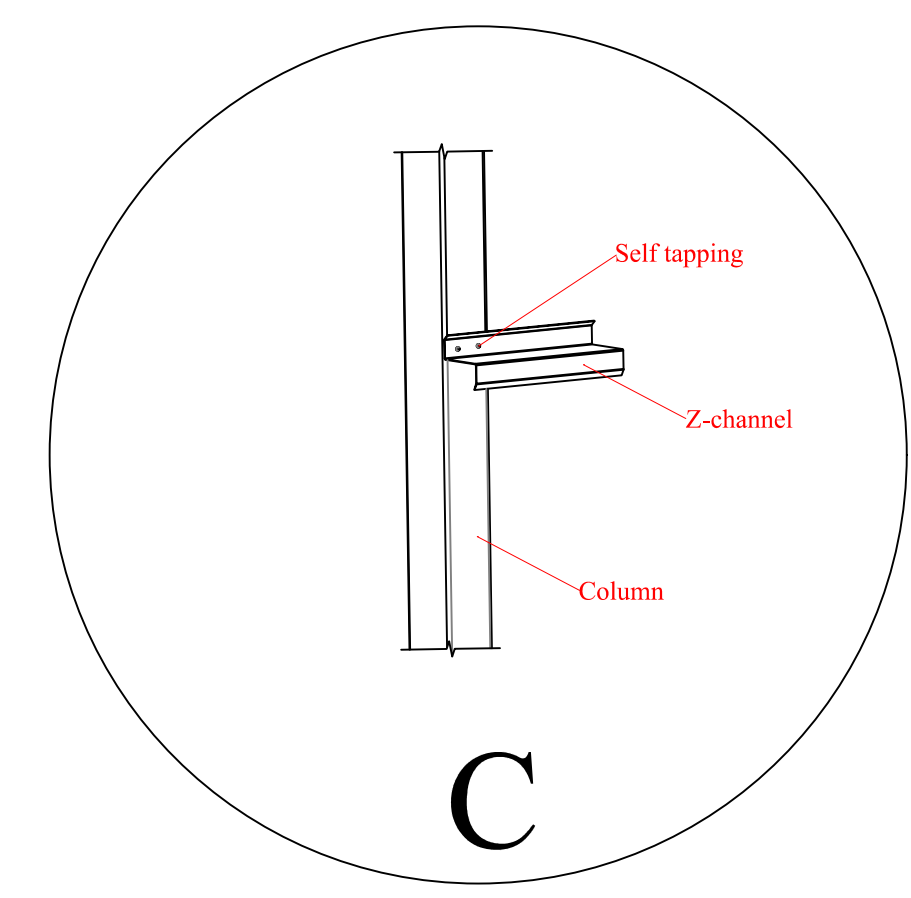
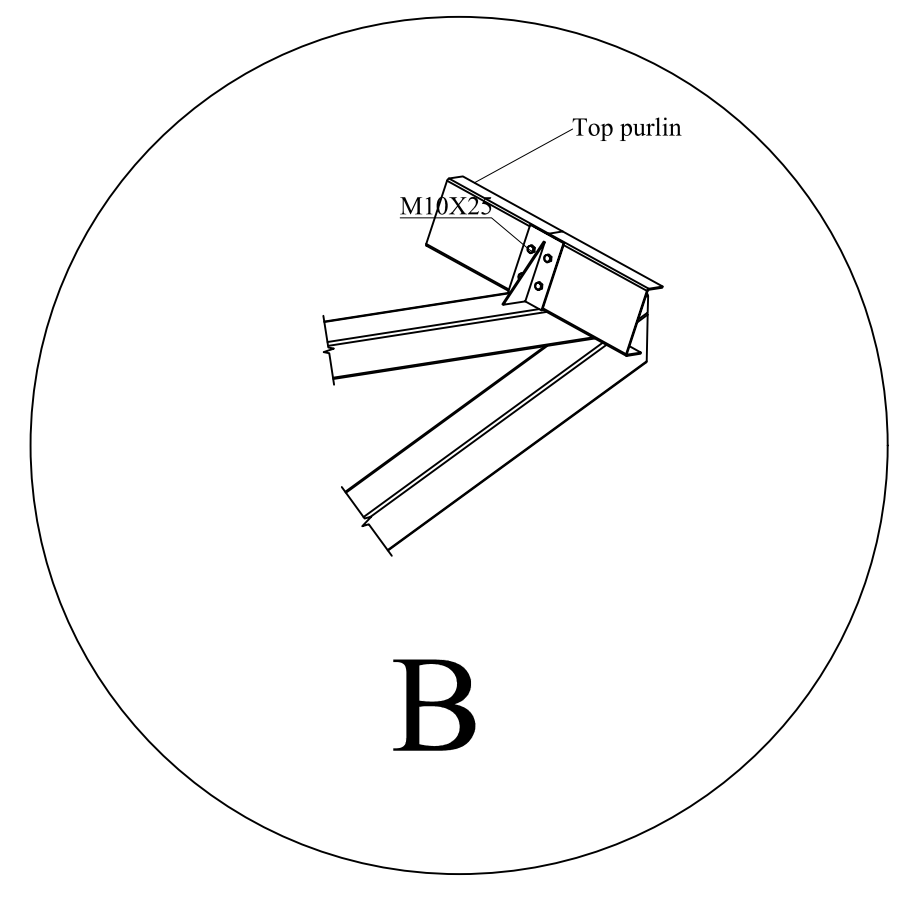
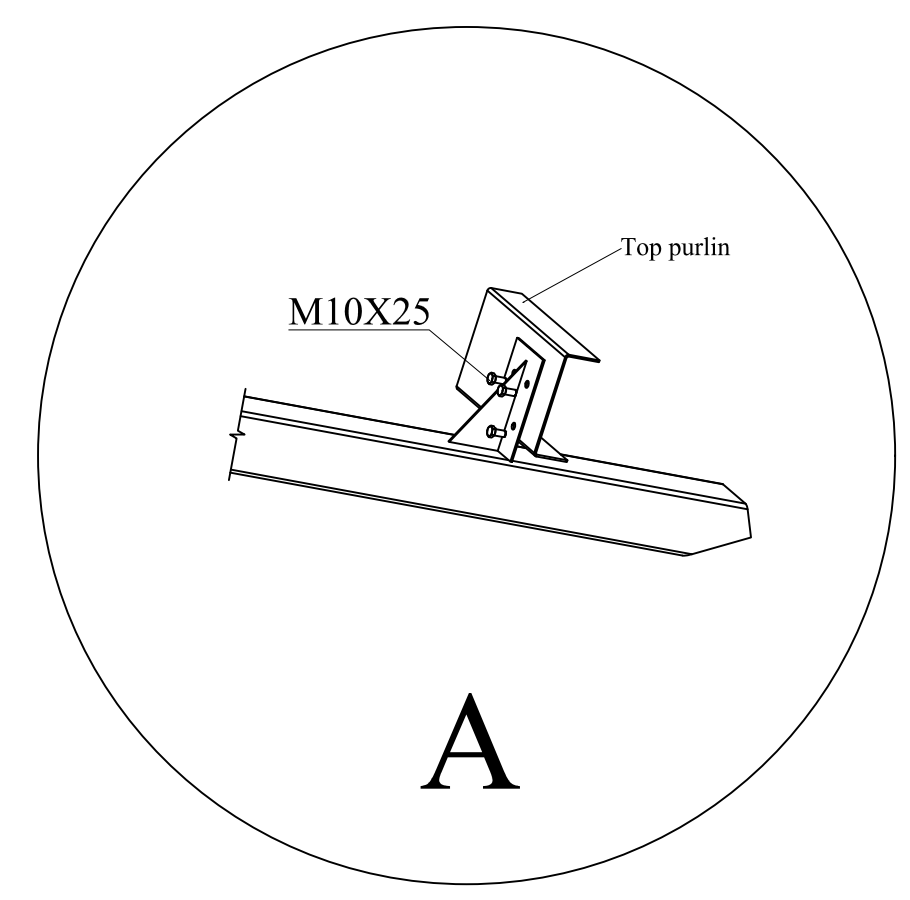
Category details:

Project manager:	Gavin
Proofreading:	Jim
Designer:	Gavin
Cartographer:	Carl
Verify:	Gavin
Version:	2015.10.005
Project No.	
Date of drawing	



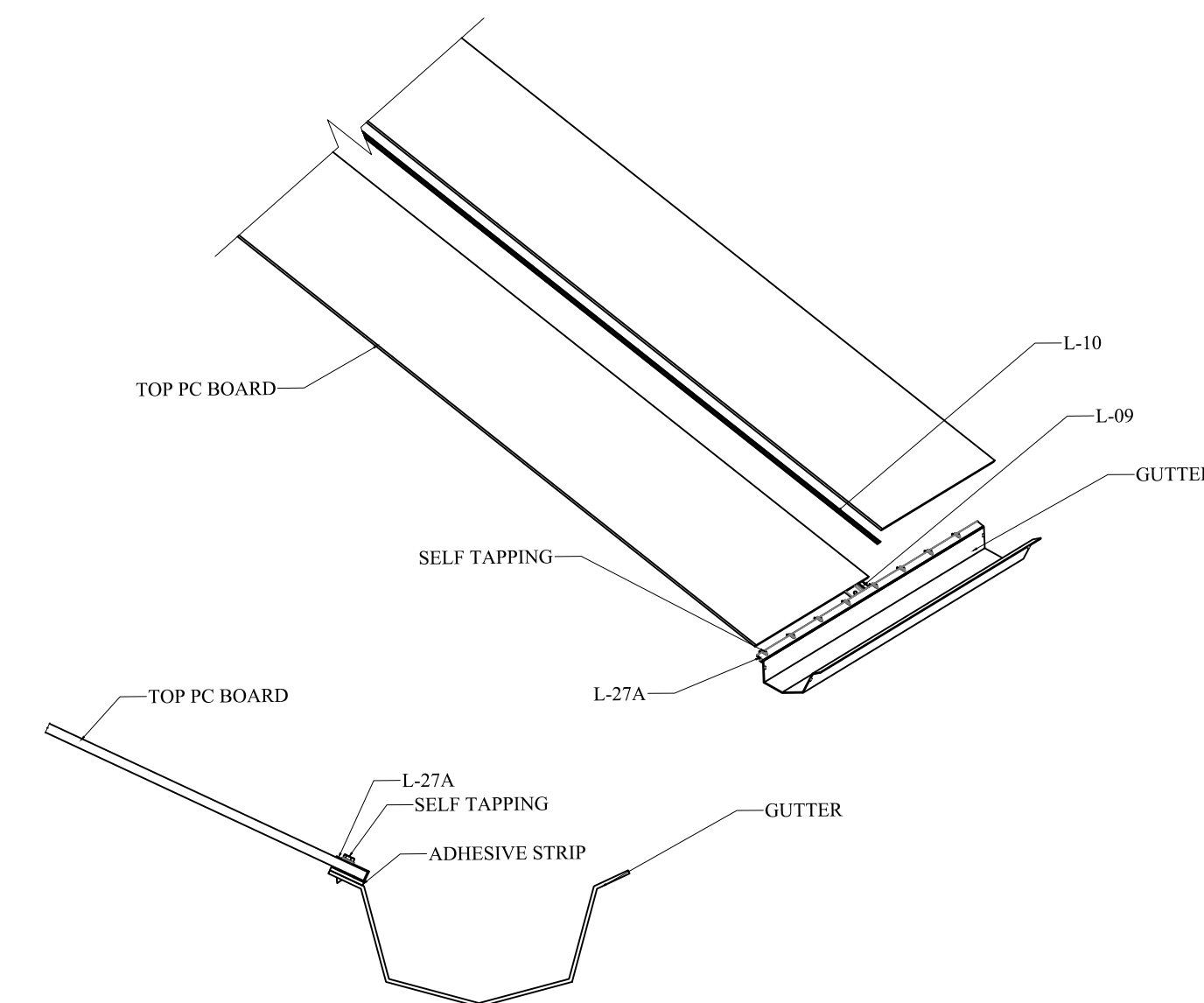
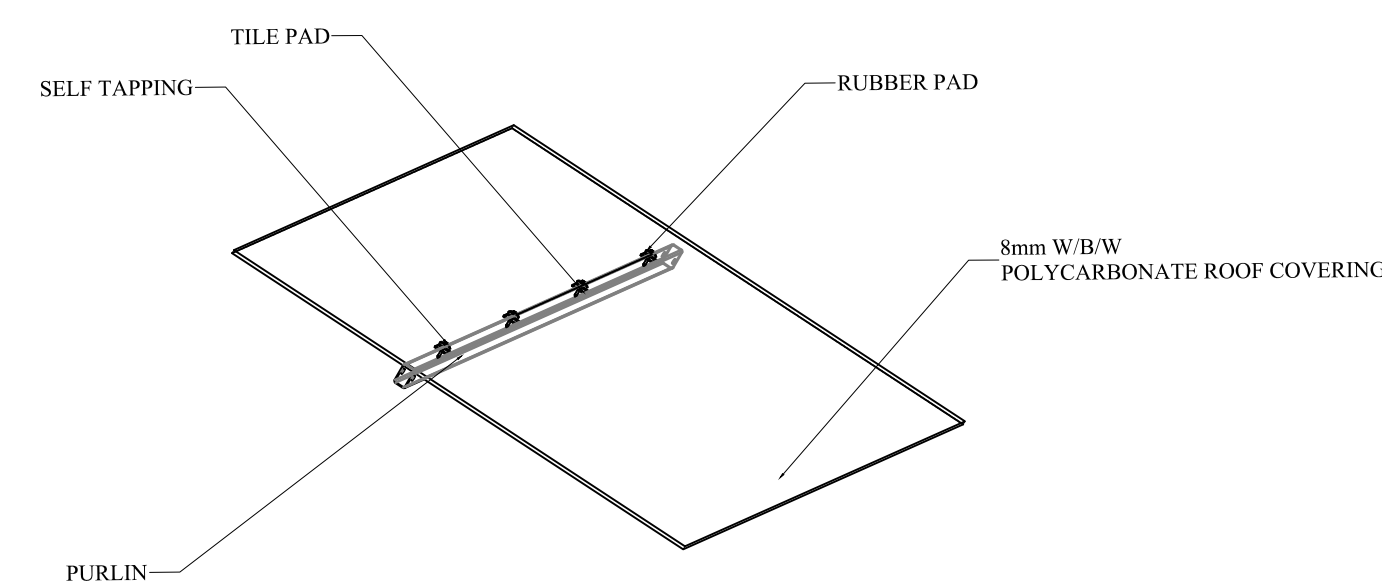
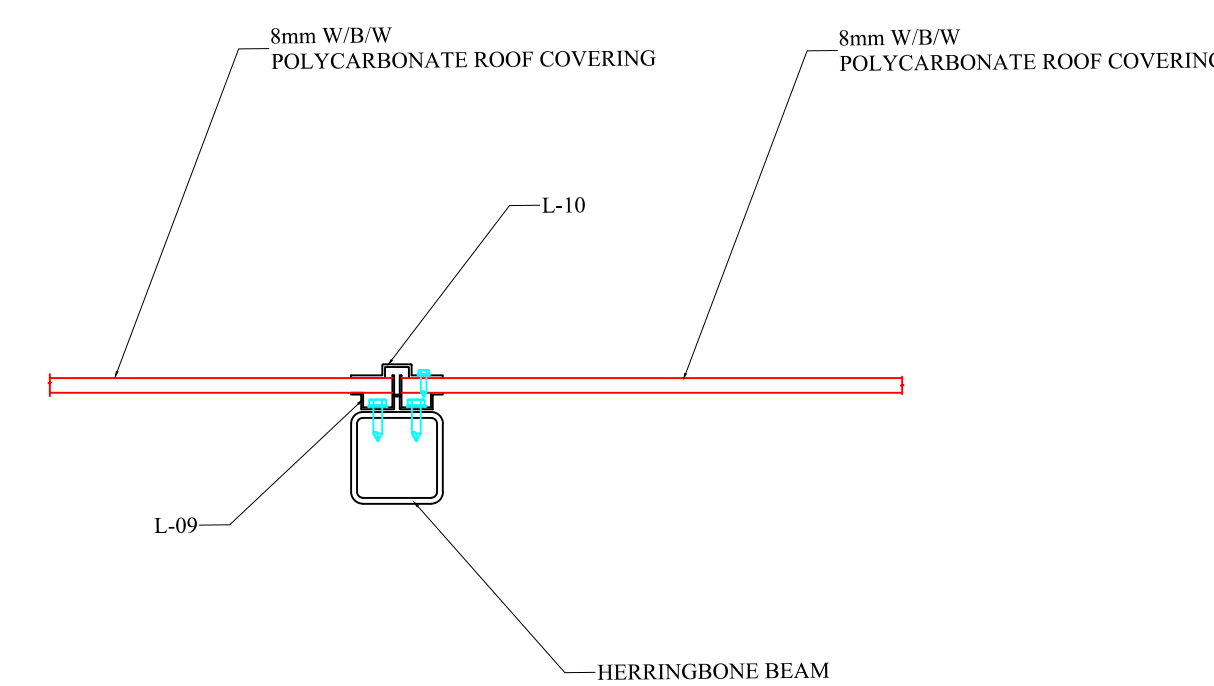
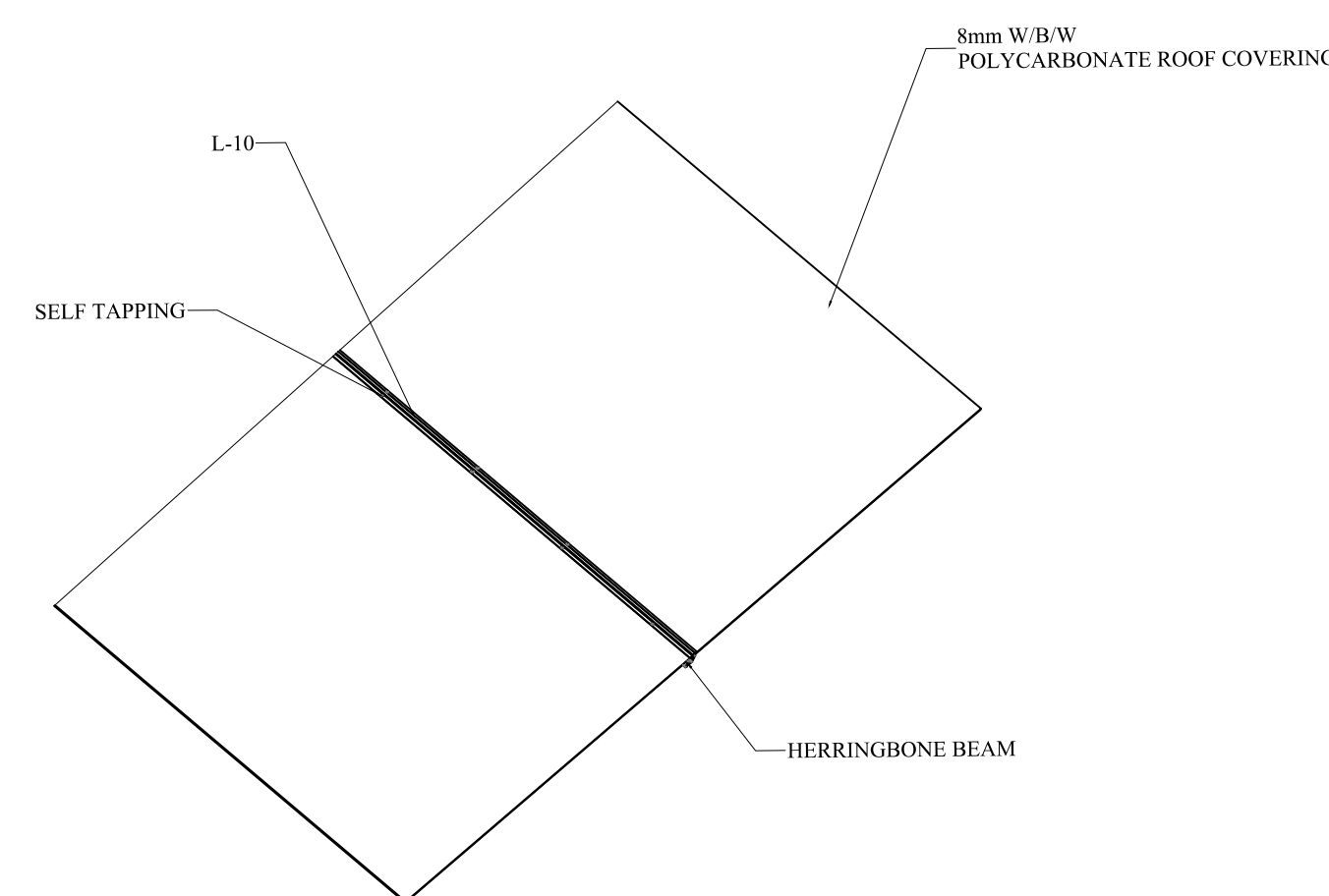
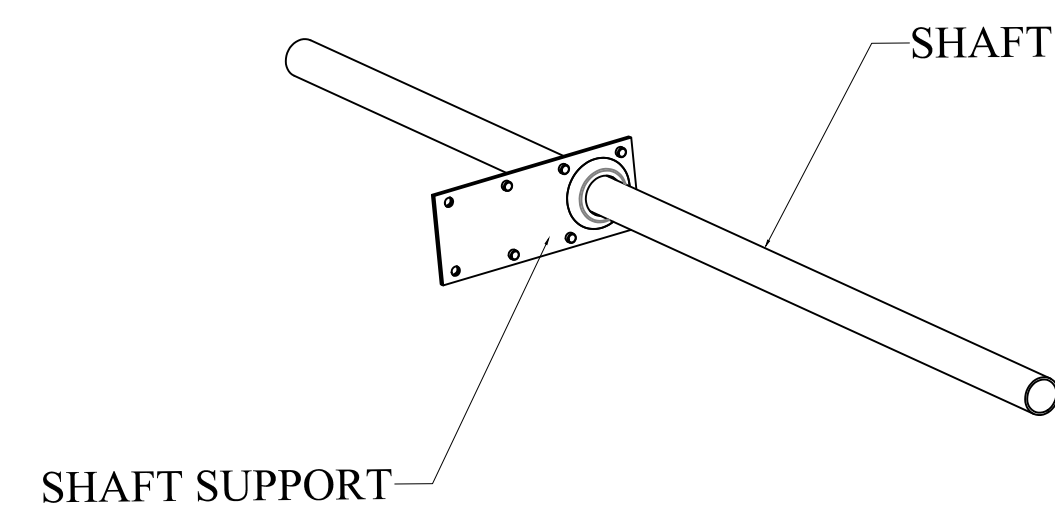
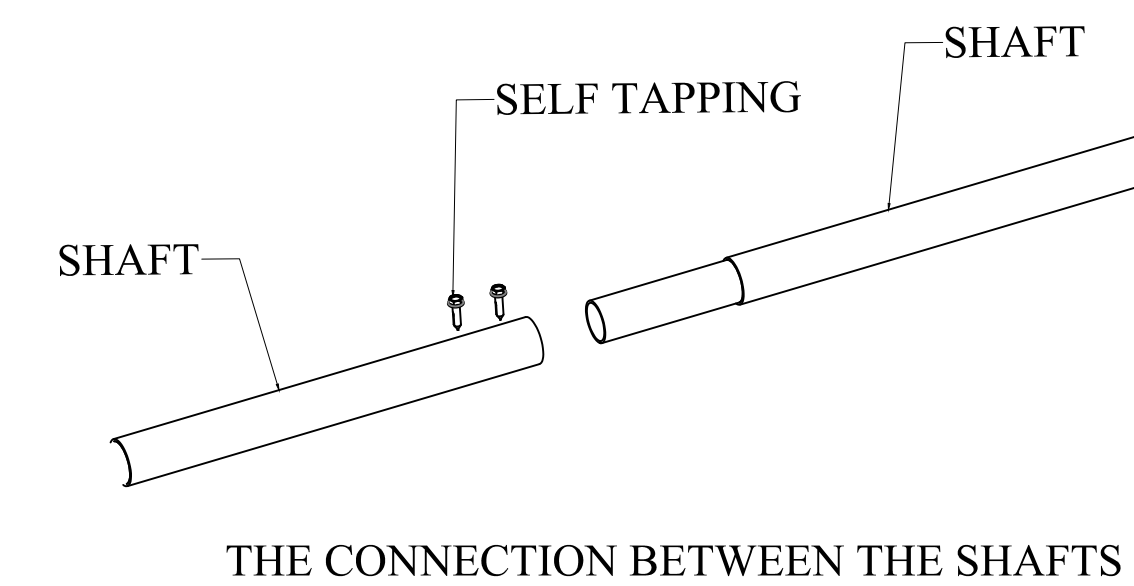
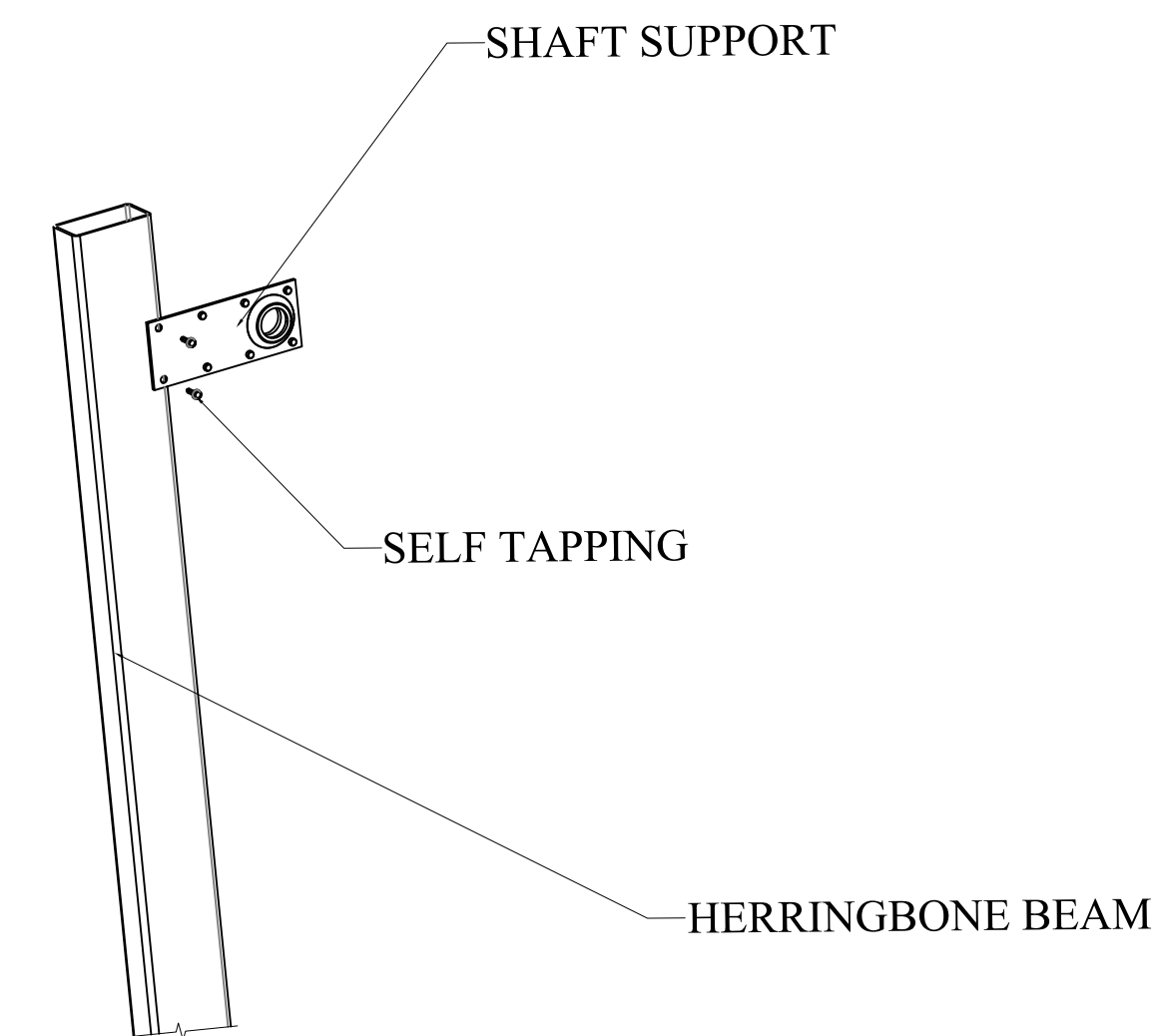
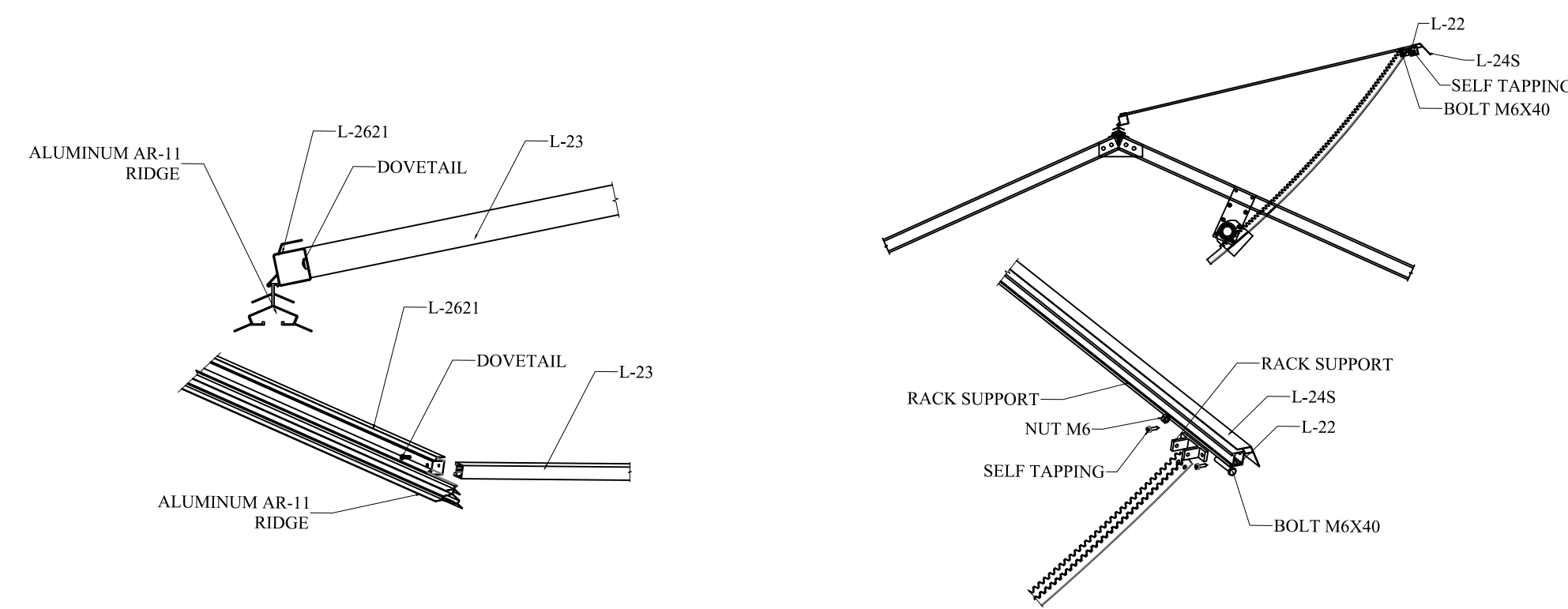
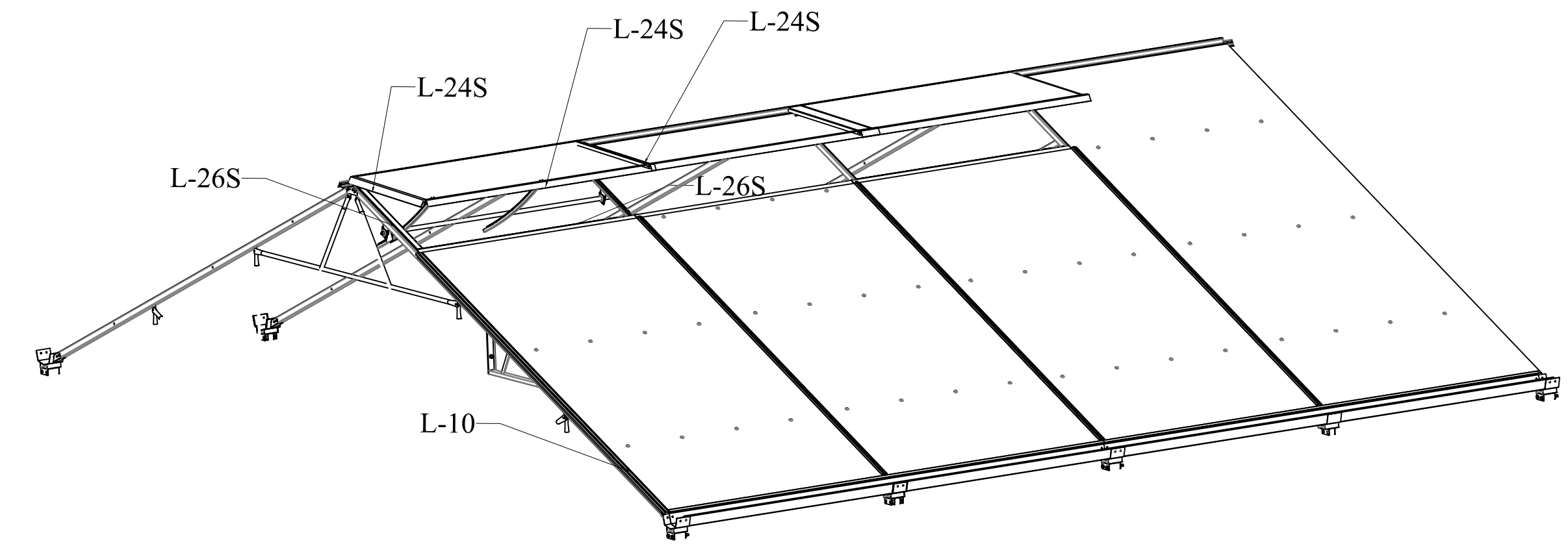
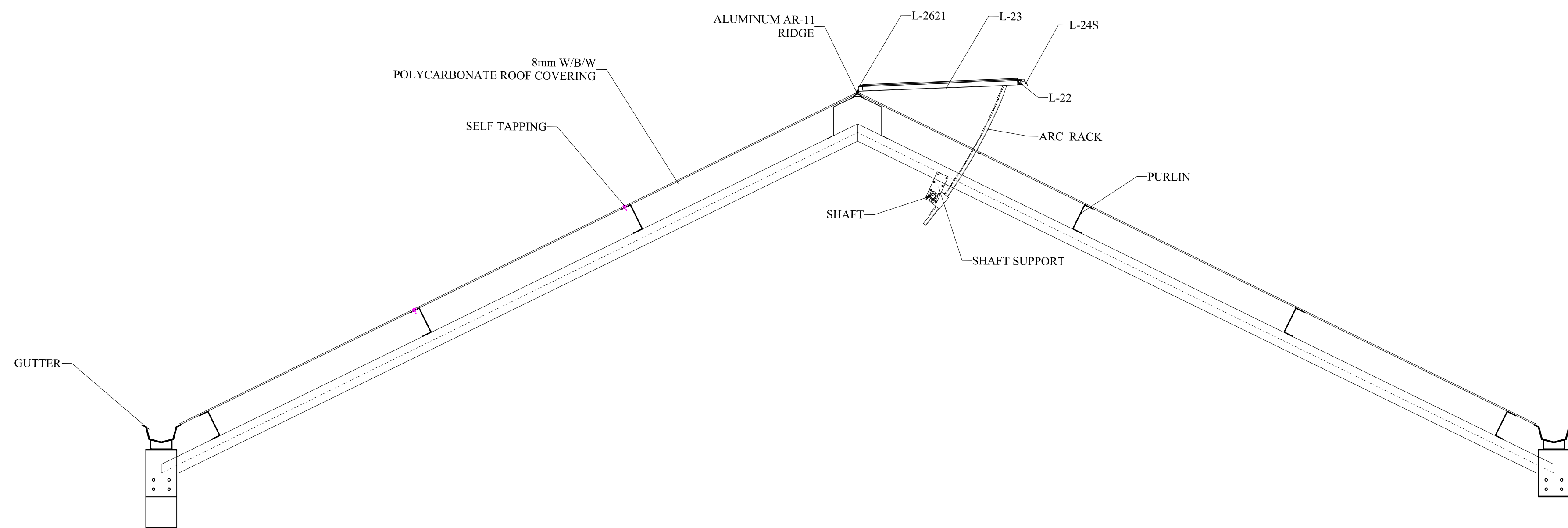
ZHENGZHOU HUIFA MACHINERY CO.LTD.
NO.1912, 19TH FLOOR BUILDING
3,NO 131 JIANYE ROAD,JINSHUI DISTRICT,
ZHENGZHOU CITY
Phone: +86 3716027 1693
Mobile: +86 153 4381 0001
Email: tech@hfgreenhouse.com
www. hfgreenhouse.com

Copyright 2015.10
本图版权归郑州汇发机械设备有限公司所有。除本工程外对本图的任何其它用途和复制，必须获得本公司的书面许可。
THE OWNERSHIP OF THE COPYRIGHT IN THIS DRAWING IS RETAINED BY ZHENGZHOU HUIFA MACHINERY CO., LTD. WRITTEN CONSENT MUST BE OBTAINED BEFORE ANY USE OR REPRODUCTION OF THE DRAWING.



INSTALL NODE

Top ventilation



Client: _____

Location: _____

Project: _____

Category details: _____

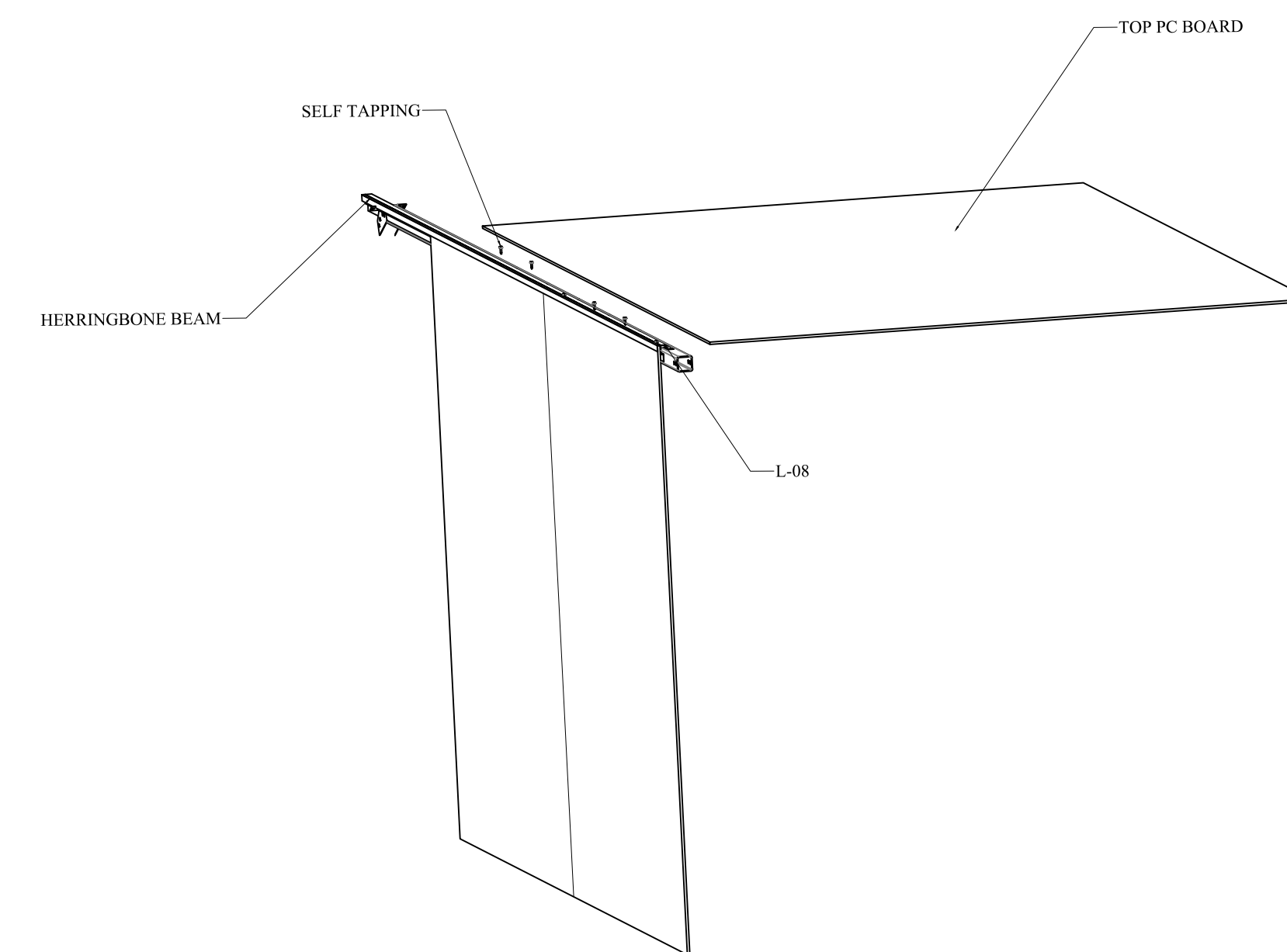
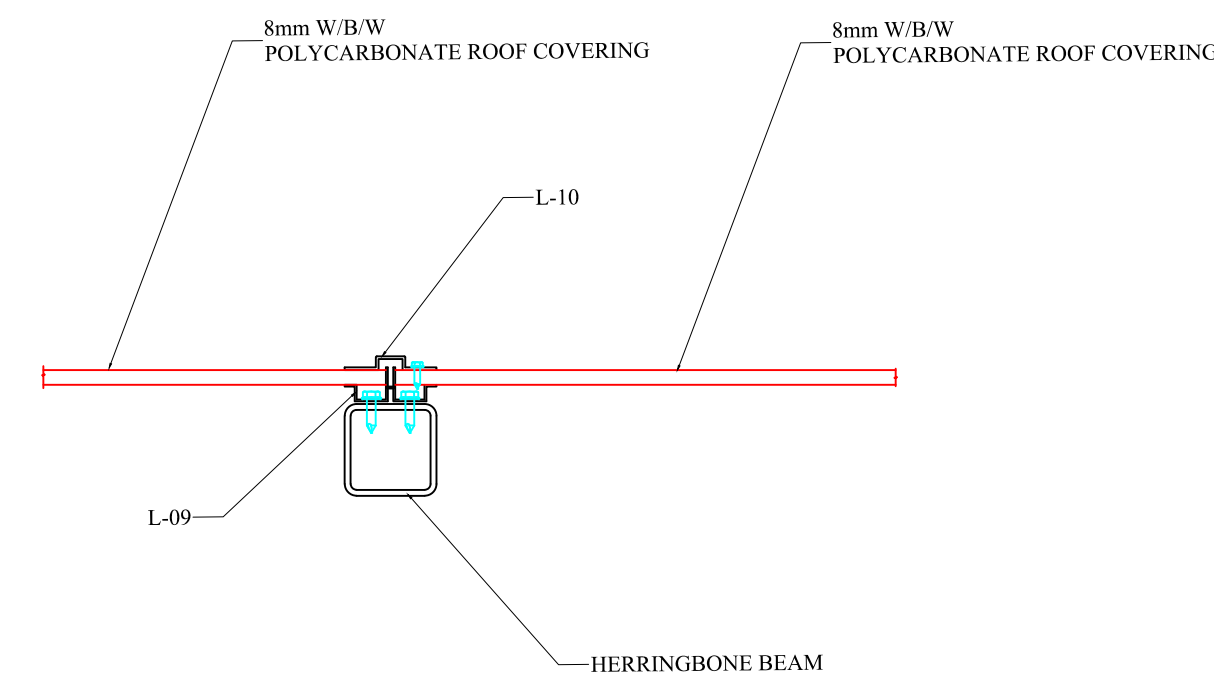
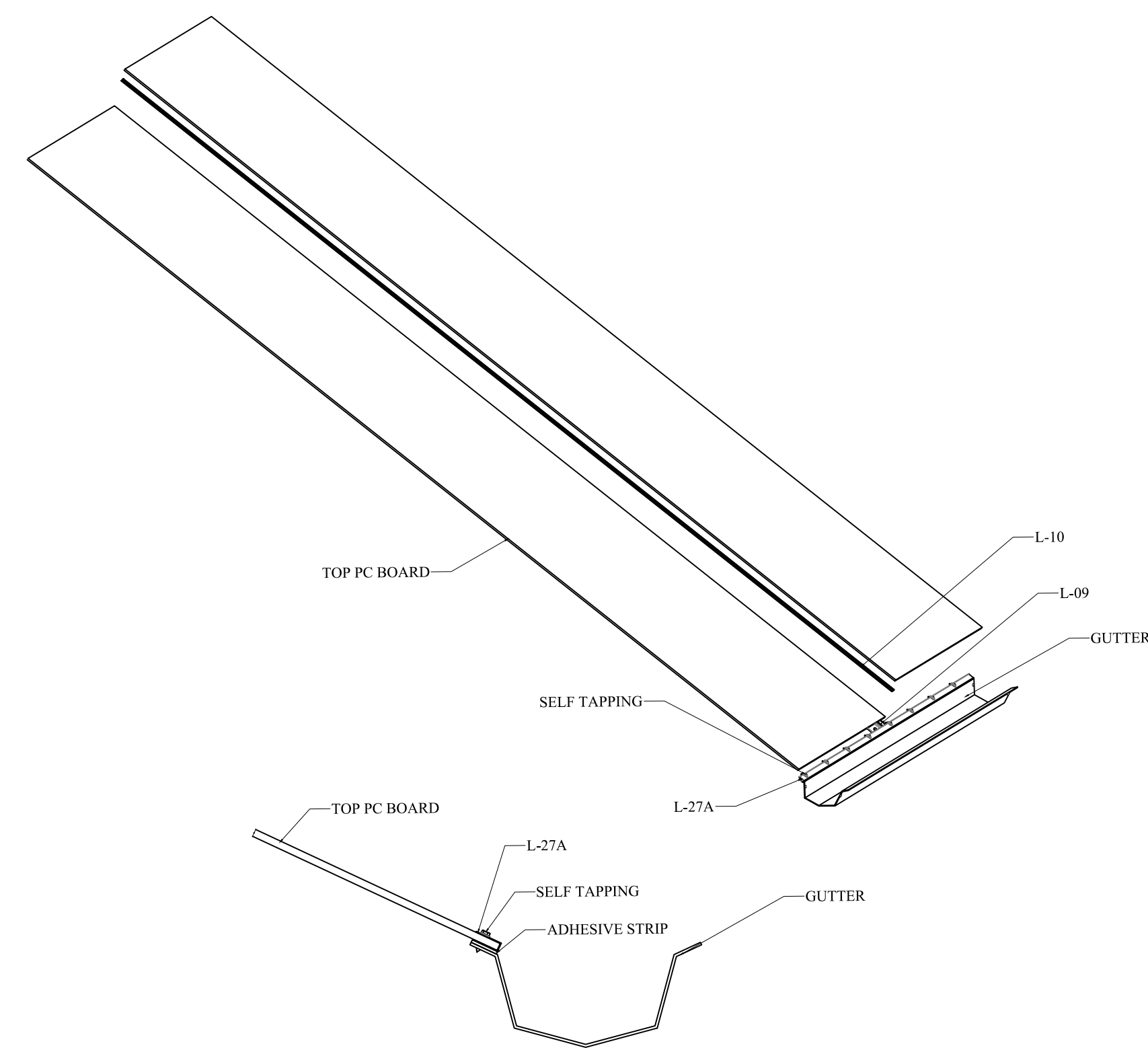
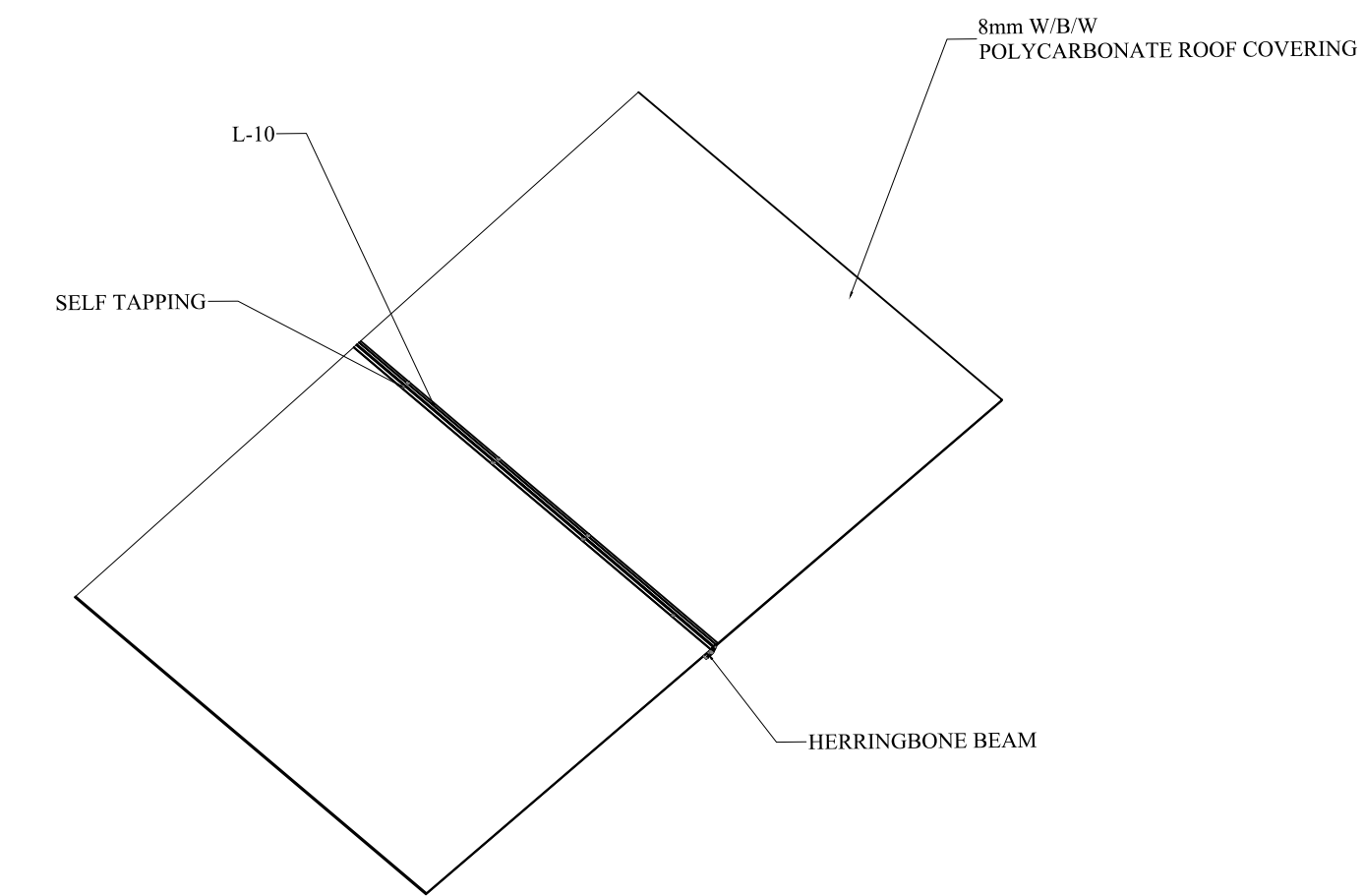
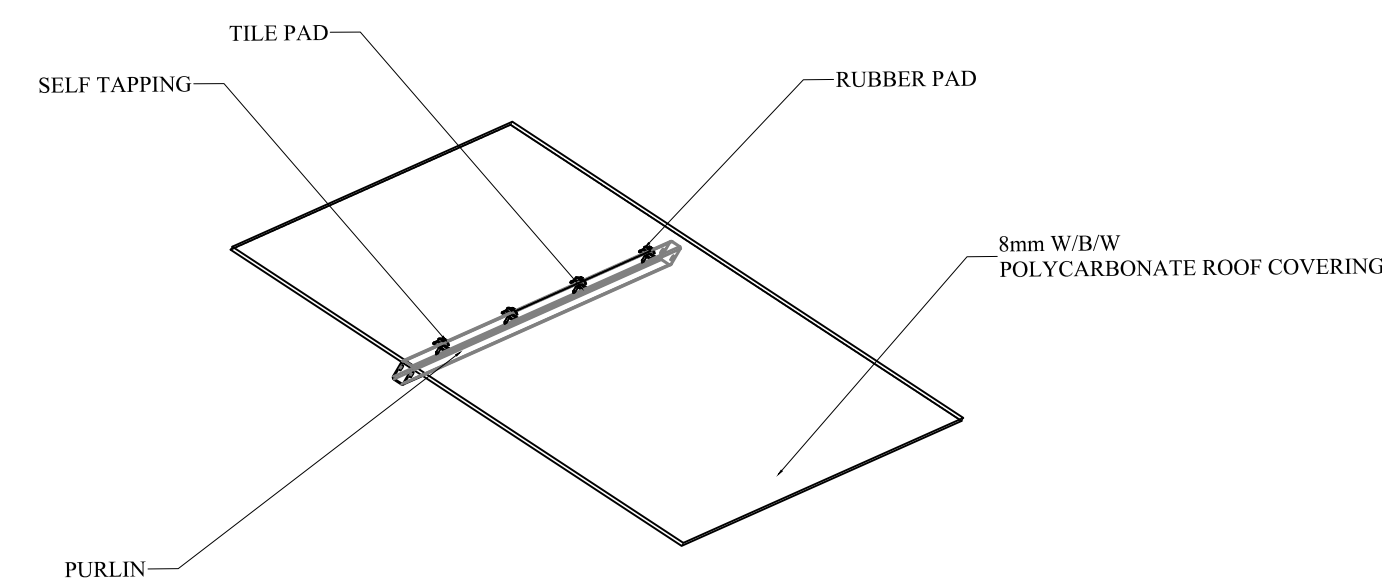
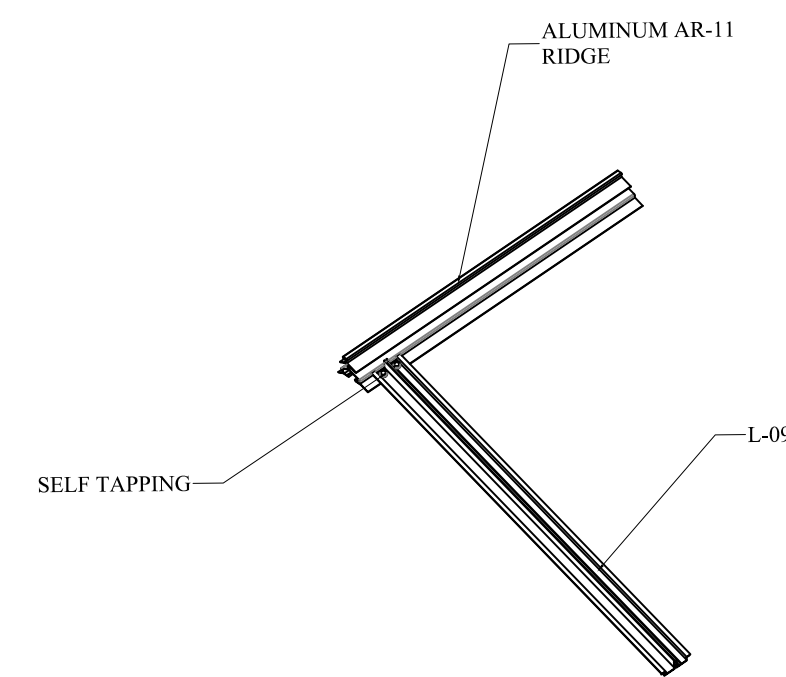
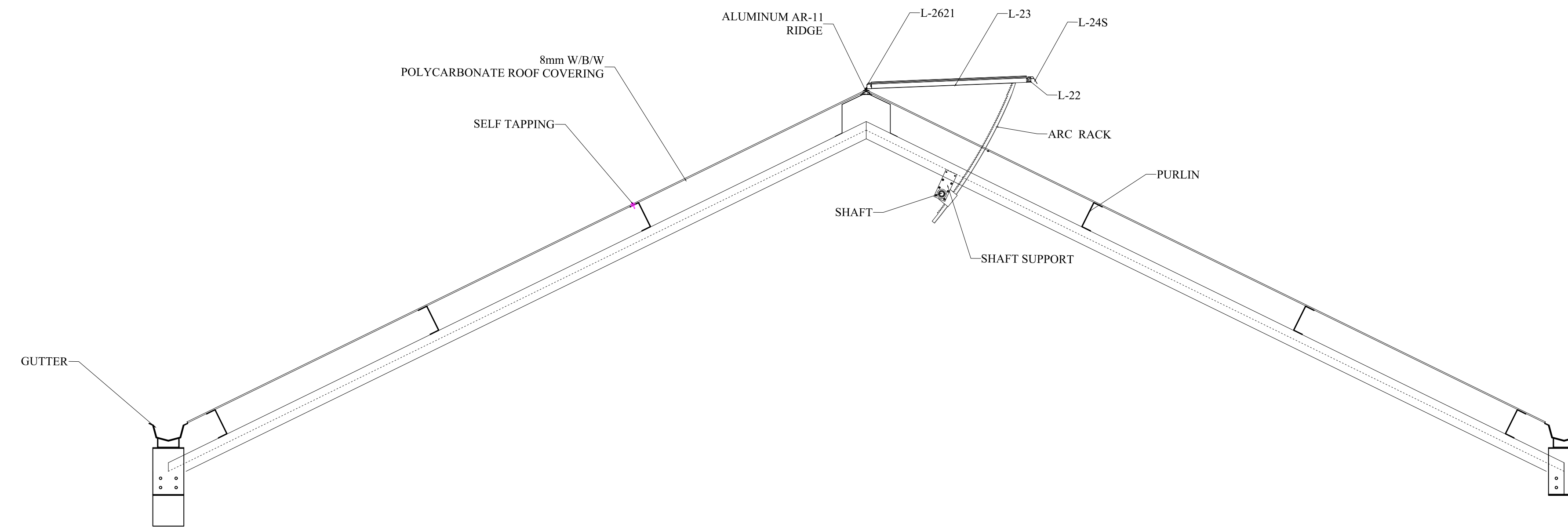
Project manager:	Gravin
Proofreading:	Jim
Designer:	Gravin
Cartographer:	Carl
Verify:	Gravin
Version:	2015. 10. 005
Project No.	
Date of drawing	



ZHENGZHOU HUIFA MACHINERY CO.LTD.
NO.1912, 19TH FLOOR BUILDING
3,NO 131 JIANYE ROAD,JINSHUI DISTRICT,
ZHENGZHOU CITY
Phone: +86 3716027 1693
Mobile: +86 153 4381 0001
Email: tech@hfgreenhouse.com
www.hfgreenhouse.com

Copyright 2015.10
本图版权归郑州汇发机械设备有限公司所有。除本工程外对本图的任何其它用途和复制，必须获得本公司的书面许可。
THE OWNERSHIP OF THE COPYRIGHT IN THIS DRAWING IS RETAINED BY ZHENGZHOU HUIFA MACHINERY CO., LTD. WRITTEN CONSENT MUST BE OBTAINED BEFORE ANY USE OR REPRODUCTION OF THE DRAWING.

NO WINDOW SIDE



Client:

Location:

Project:

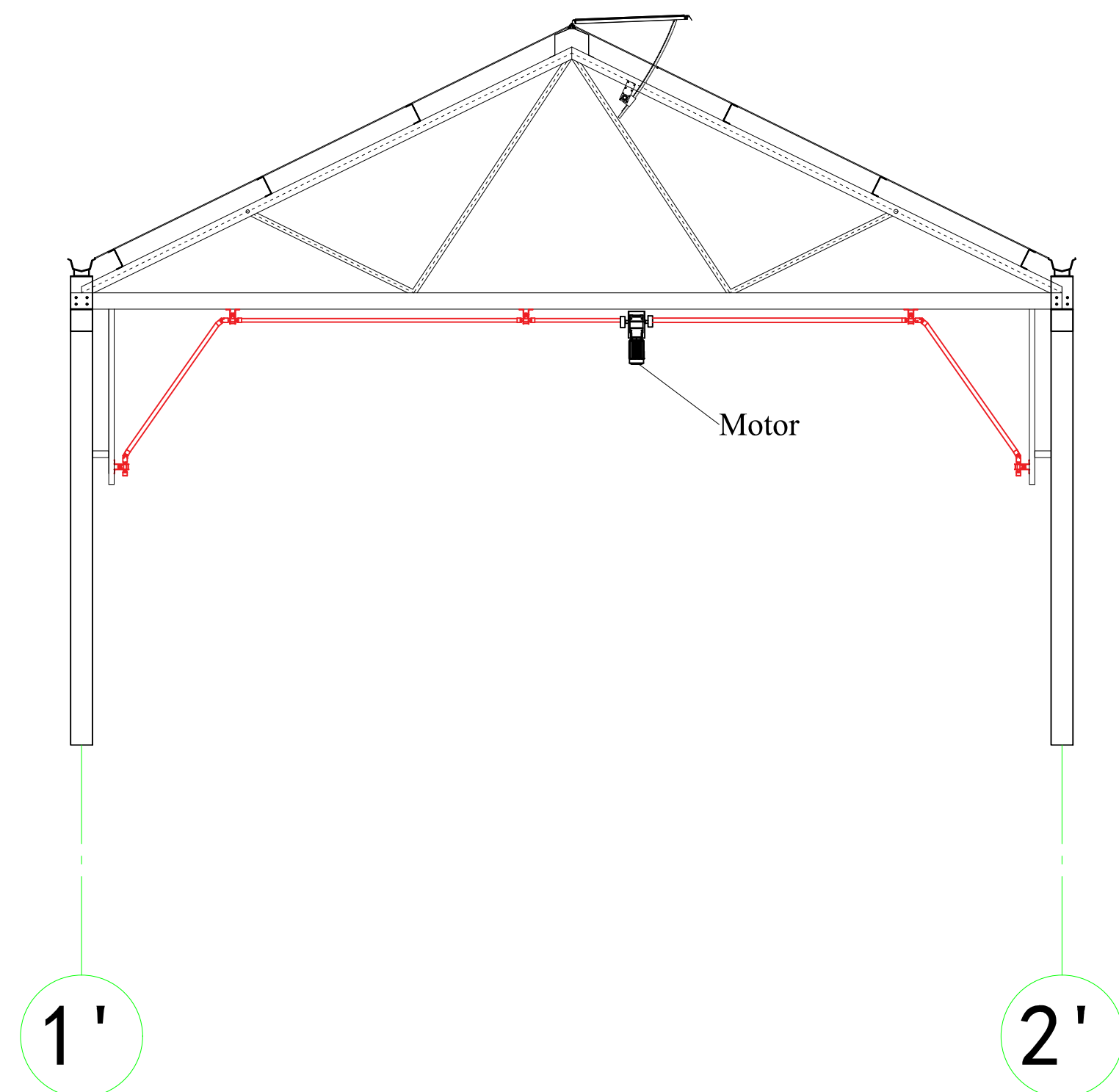
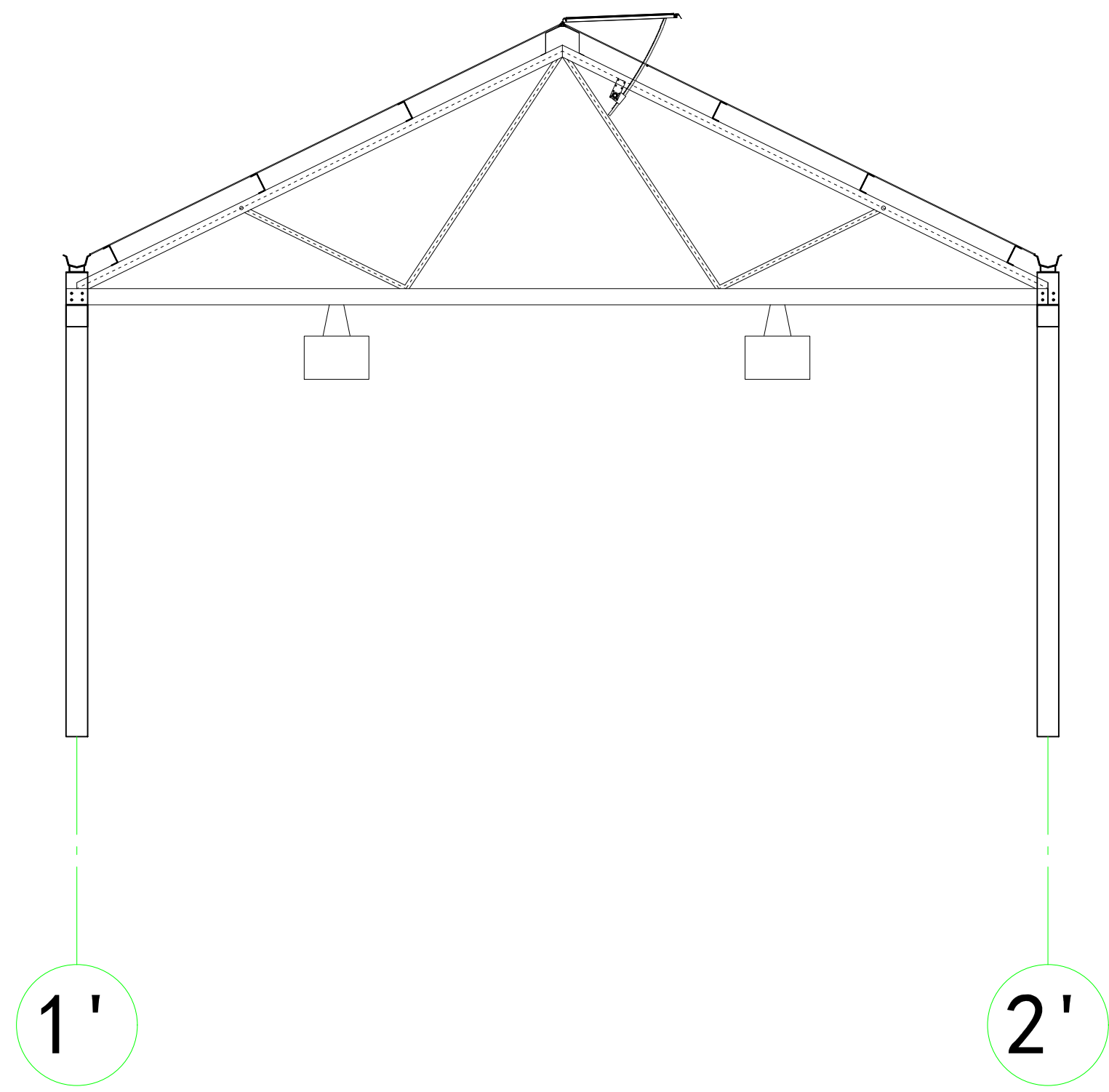
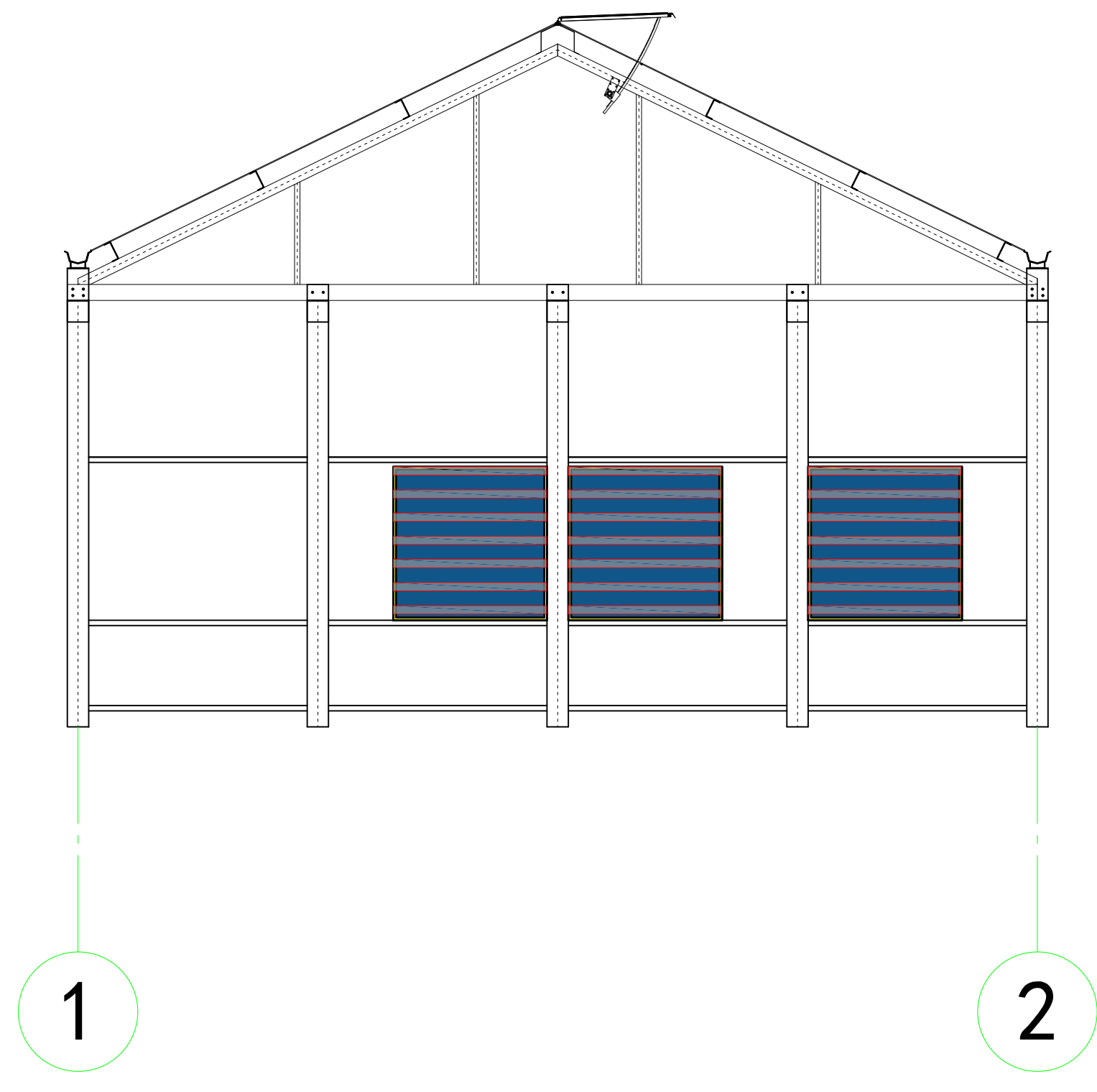
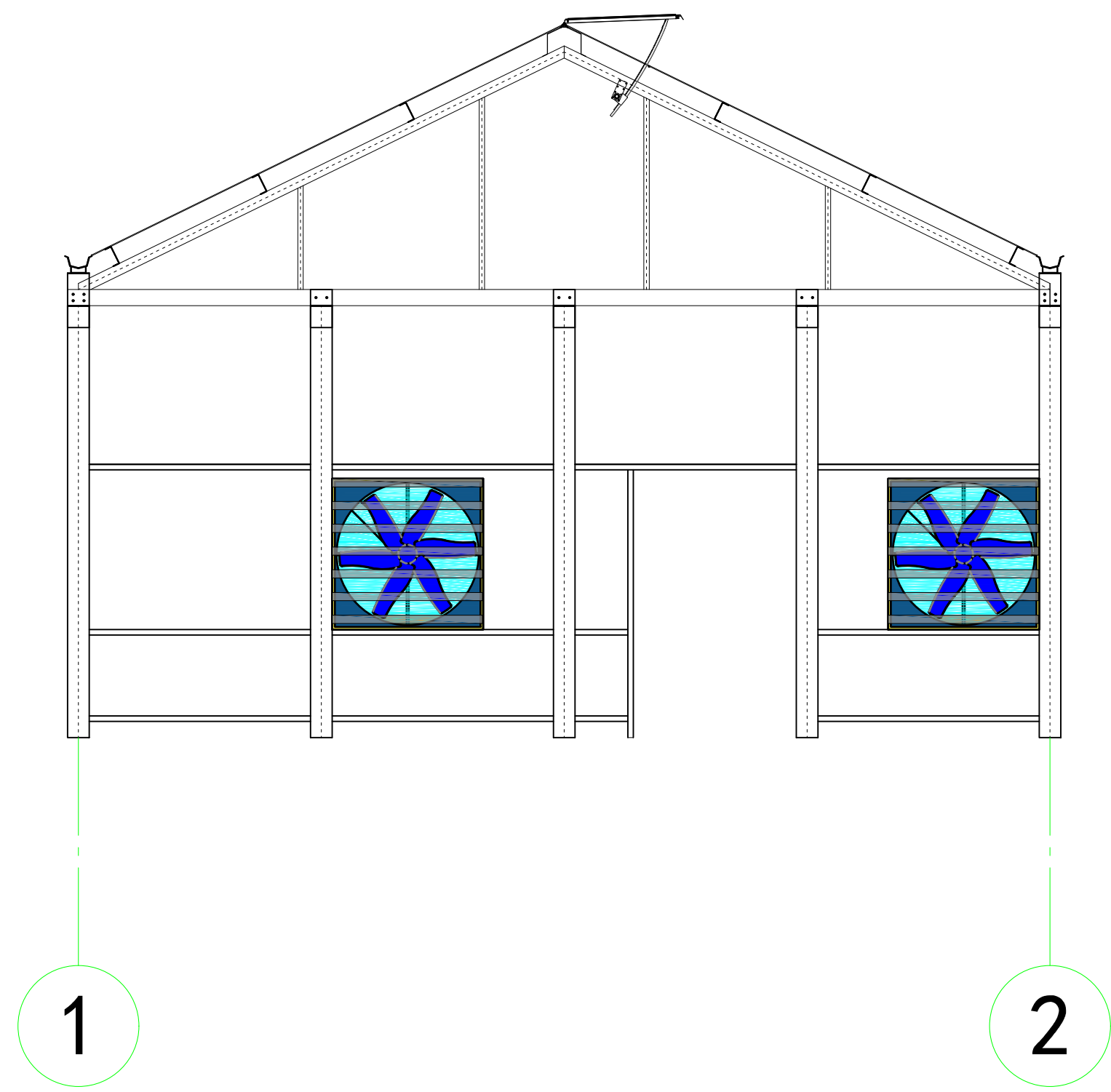
Category details:

Project manager:	Gravin
Proofreading:	Jim
Designer:	Gravin
Cartographer:	Carl
Verify:	Gravin
Version:	2015.10.005
Project No.	
Date of drawing	



ZHENGZHOU HUIFA MACHINERY CO.LTD.
 NO.1912, 19TH FLOOR BUILDING
 3,NO 131 JIANYE ROAD,JINSHUI DISTRICT,
 ZHENGZHOU CITY
 Phone: +86 3716027 1693
 Mobile: +86 153 4381 0001
 Email: tech@hfgreenhouse.com
 www.hfgreenhouse.com

Copyright 2015.10
 本图版权归郑州汇发机械设备有限公司所有。除本工程外对本图的任何其它用途和复制，必须获得本公司的书面许可。
 THE OWNERSHIP OF THE COPYRIGHT IN THIS DRAWING IS RETAINED BY ZHENGZHOU HUIFA MACHINERY CO., LTD. WRITTEN CONSENT MUST BE OBTAINED BEFORE ANY USE OR REPRODUCTION OF THE DRAWING.



Installation of motor

EQUIPMENT LOCATION

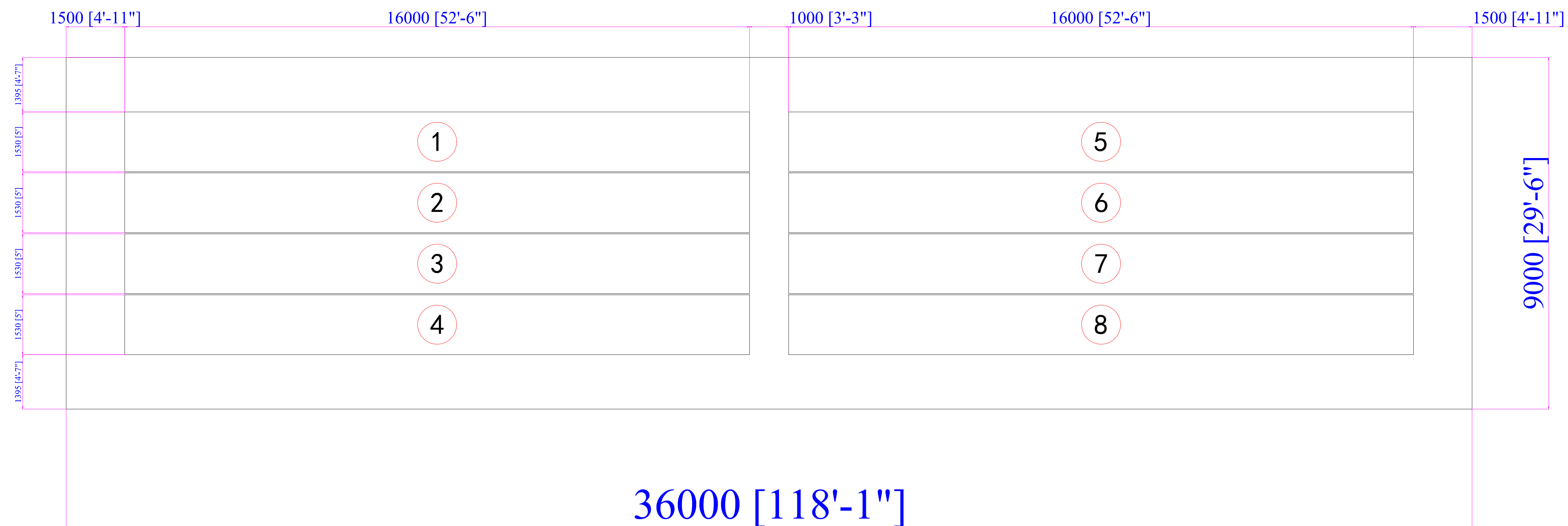
Client:	
Location:	
Project:	
Category details:	

Project manager:	Gavin
Proofreading:	Jim
Designer:	Gavin
Cartographer:	Carl
Verify:	Gavin
Version:	2015.10.005
Project No.	
Date of drawing	



ZHENGZHOU HUIFA MACHINERY CO.LTD.
 NO.1912, 19TH FLOOR BUILDING
 3,NO 131 JIANYE ROAD,JINSHUI DISTRICT,
 ZHENGZHOU CITY
 Phone: +86 3716027 1693
 Mobile: +86 153 4381 0001
 Email: tech@hfgreenhouse.com
 www.hfgreenhouse.com

Copyright 2015.10
 本图版权归郑州汇发机械设备有限公司所有。除本工程外对本图的任何其它用途和复制，必须获得本公司的书面许可。
 THE OWNERSHIP OF THE COPYRIGHT IN THIS DRAWING IS RETAINED BY ZHENGZHOU HUIFA MACHINERY CO., LTD. WRITTEN CONSENT MUST BE OBTAINED BEFORE ANY USE OR REPRODUCTION OF THE DRAWING.



SEEDBED PLAN

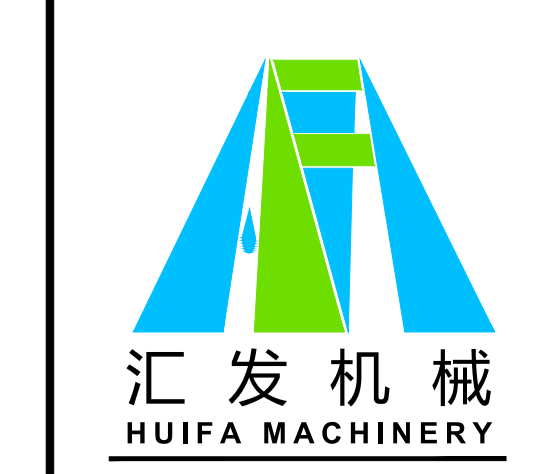
Client:

Location:

Project:

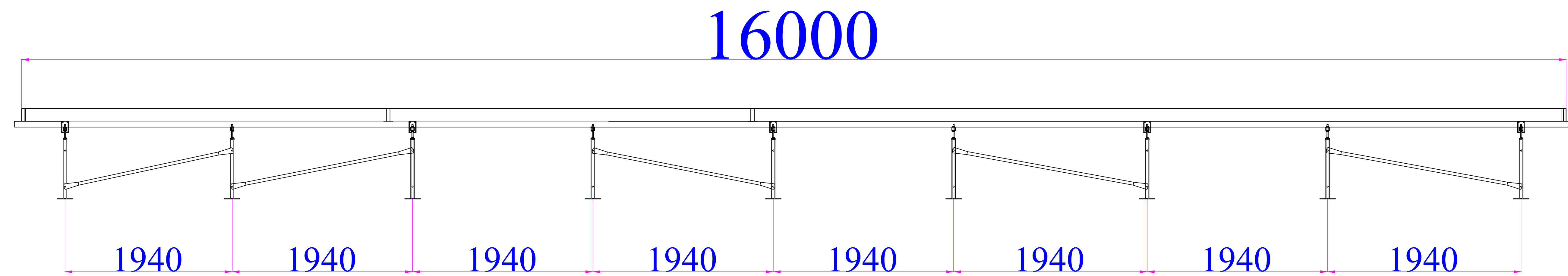
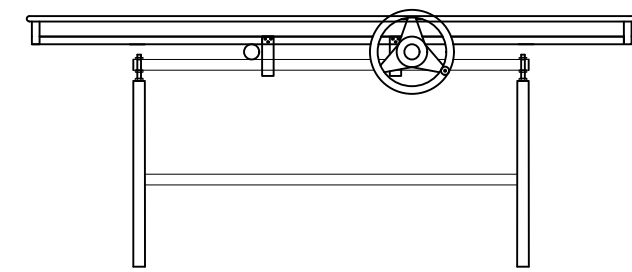
Category details:

Project manager:	Gavin
Proofreading:	Jim
Designer:	Gavin
Cartographer:	Carl
Verify:	Gavin
Version:	2015. 10. 005
Project No.	
Date of drawing	



ZHENGZHOU HUIFA MACHINERY CO.LTD.
 NO.1912, 19TH FLOOR BUILDING
 3,NO 131 JIANYE ROAD,JINSHUI DISTRICT,
 ZHENGZHOU CITY
 Phone: +86 3716027 1693
 Mobile: +86 153 4381 0001
 Email: tech@hfgreenhouse.com
 www. hfgreenhouse.com

Copyright 2015.10
 本图版权归郑州汇发机械设备有限公司所有。除本工程外对本图的任何其它用途和复制，必须获得本公司的书面许可。
 THE OWNERSHIP OF THE COPYRIGHT IN THIS DRAWING IS RETAINED BY ZHENGZHOU HUIFA MACHINERY CO., LTD. WRITTEN CONSENT MUST BE OBTAINED BEFORE ANY USE OR REPRODUCTION OF THE DRAWING.



SEEDBED SECTION

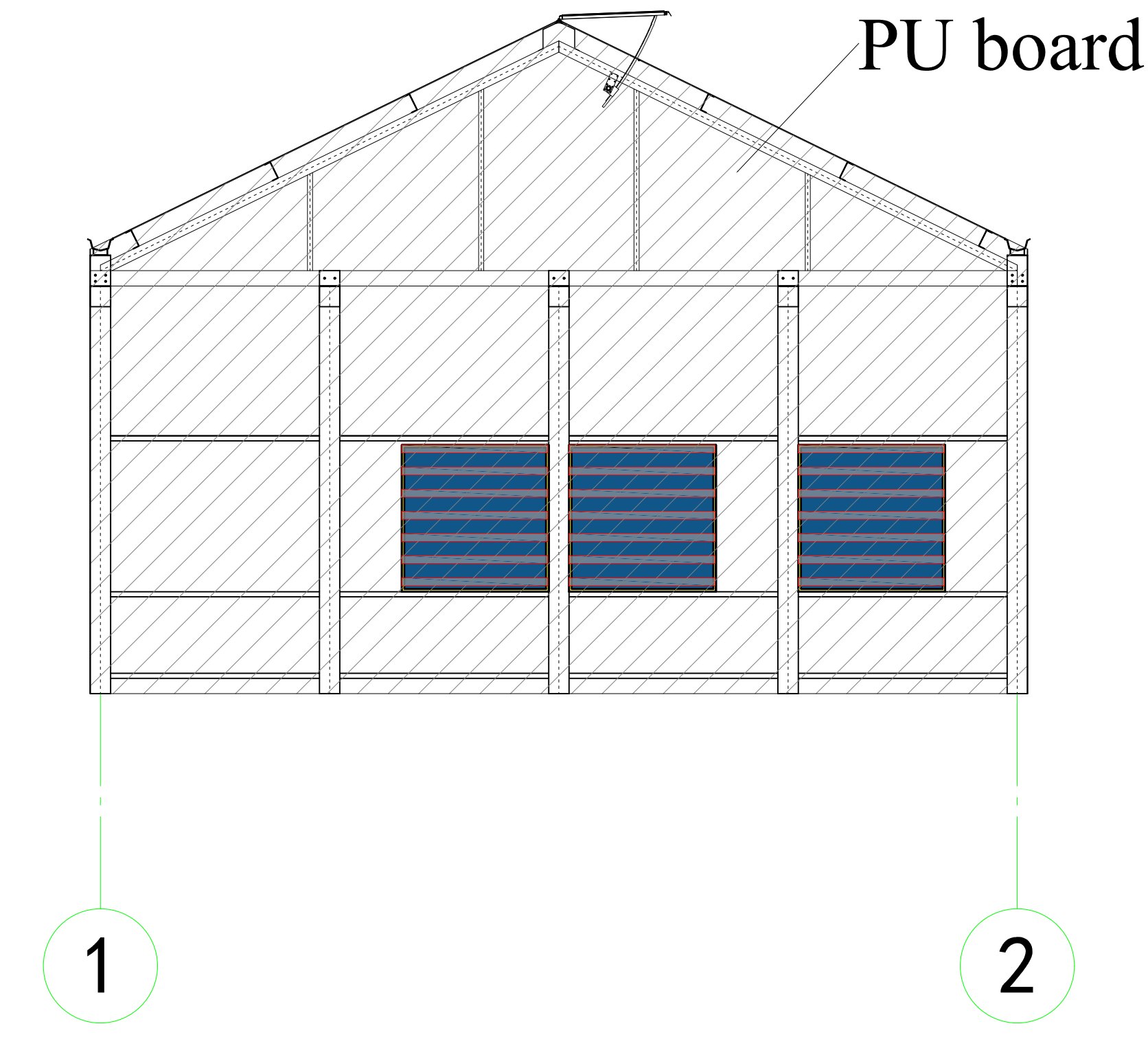
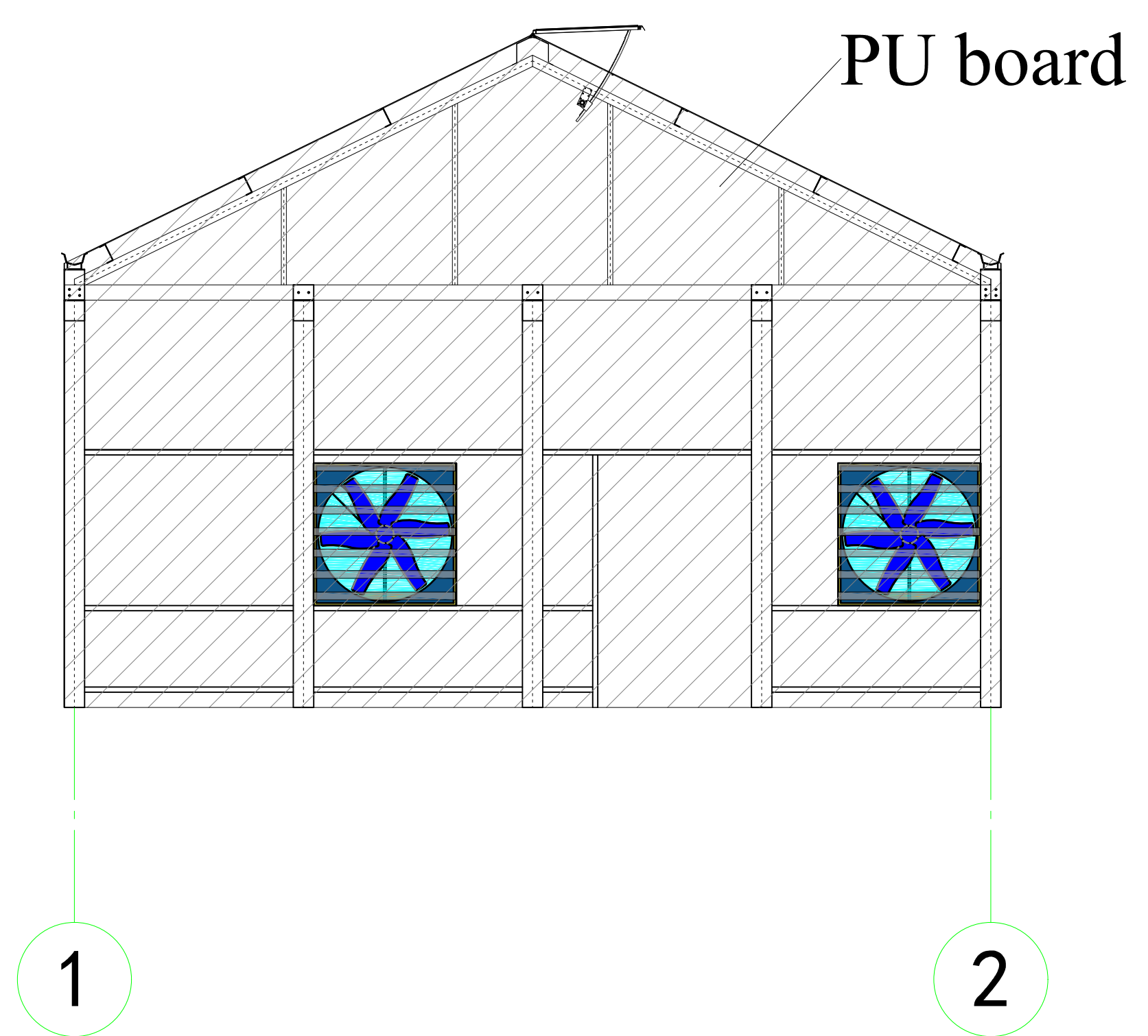
Client:	
Location:	
Project:	
Category details:	

Project manager:	Gavin
Proofreading:	Jim
Designer:	Gavin
Cartographer:	Carl
Verify:	Gavin
Version:	2015.10.005
Project No.	
Date of drawing	



ZHENGZHOU HUIFA MACHINERY CO.LTD.
 NO.1912, 19TH FLOOR BUILDING
 3,NO 131 JIANYE
 ROAD,JINSHUI DISTRICT,
 ZHENGZHOU CITY
 Phone: +86 3716027 1693
 Mobile: +86 153 4381 0001
 Email: tech@hfgreenhouse.com
 www. hfgreenhouse.com

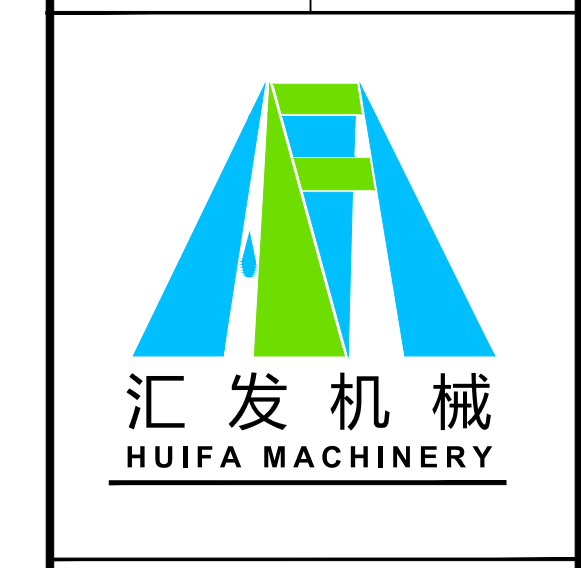
Copyright 2015.10
 本图版权归郑州汇发机械设备有限公司所有。除本工程外对本图的任何其它用途和复制，必须获得本公司的书面许可。
 THE OWNERSHIP OF THE COPYRIGHT IN THIS DRAWING IS RETAINED BY ZHENGZHOU HUIFA MACHINERY CO., LTD. WRITTEN CONSENT MUST BE OBTAINED BEFORE ANY USE OR REPRODUCTION OF THE DRAWING.



END COVER

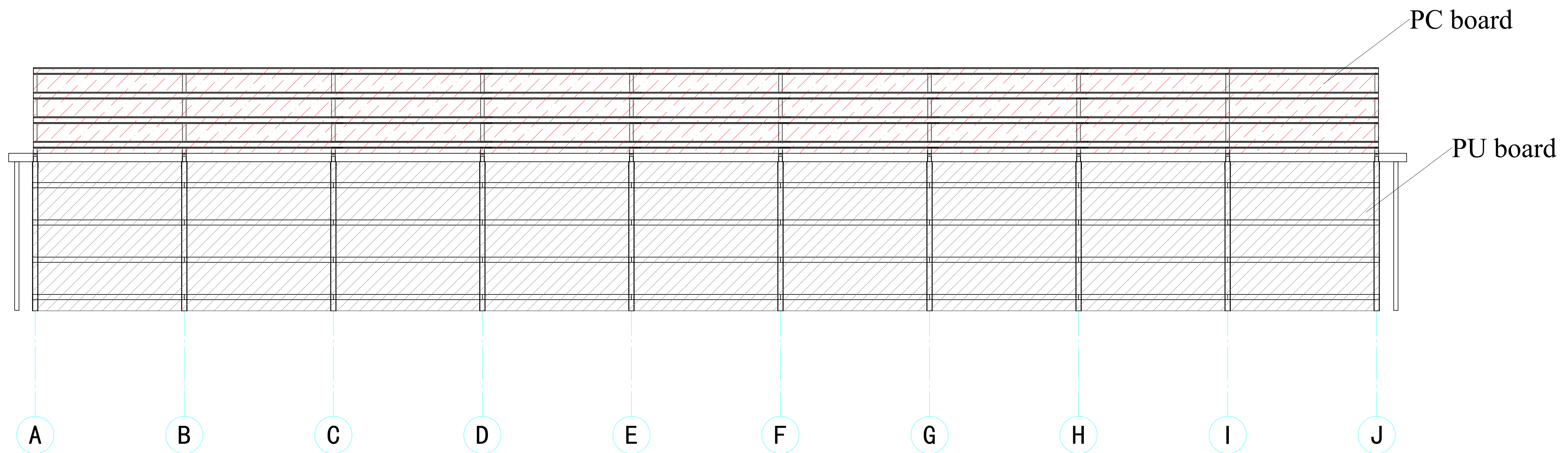
Client:	
Location:	
Project:	
Category details:	

Project manager:	Gravin
Proofreading:	Jim
Designer:	Gravin
Cartographer:	Carl
Verify:	Gravin
Version:	2015.10.005
Project No.	
Date of drawing	



ZHENGZHOU HUIFA MACHINERY CO.LTD.
 NO.1912, 19TH FLOOR BUILDING
 3,NO 131 JIANYE ROAD,JINSHUI DISTRICT,
 ZHENGZHOU CITY
 Phone: +86 3716027 1693
 Mobile: +86 153 4381 0001
 Email: tech@hfgreenhouse.com
 www. hfgreenhouse.com

Copyright 2015.10
 本图版权归郑州汇发机械设备有限公司所有。除本工程外对本图的任何其它用途和复制，必须获得本公司的书面许可。
 THE OWNERSHIP OF THE COPYRIGHT IN THIS DRAWING IS RETAINED BY ZHENGZHOU HUIFA MACHINERY CO., LTD. WRITTEN CONSENT MUST BE OBTAINED BEFORE ANY USE OR REPRODUCTION OF THE DRAWING.



TOP AND SIDE COVER

Client:

Location:

Project:

Category details:

Project manager: Gavin

Proofreading: Jim

Designer: Gavin

Cartographer: Carl

Verify: Gavin

Version: 2015.10.005

Project No.

Date of drawing



ZHENGZHOU HUIFA MACHINERY CO.LTD.
 NO.1912, 19TH FLOOR BUILDING
 3,NO 131 JIANYE ROAD,JINSHUI DISTRICT,
 ZHENGZHOU CITY
 Phone: +86 3716027 1693
 Mobile: +86 153 4381 0001
 Email: tech@hfgreenhouse.com
 www.hfgreenhouse.com

Copyright 2015.10
 本图版权归郑州汇发机械设备有限公司所有。除本工程外对本图的任何其它用途和复制，必须获得本公司的书面许可。
 THE OWNERSHIP OF THE COPYRIGHT IN THIS DRAWING IS RETAINED BY ZHENGZHOU HUIFA MACHINERY CO., LTD. WRITTEN CONSENT MUST BE OBTAINED BEFORE ANY USE OR REPRODUCTION OF THE DRAWING.