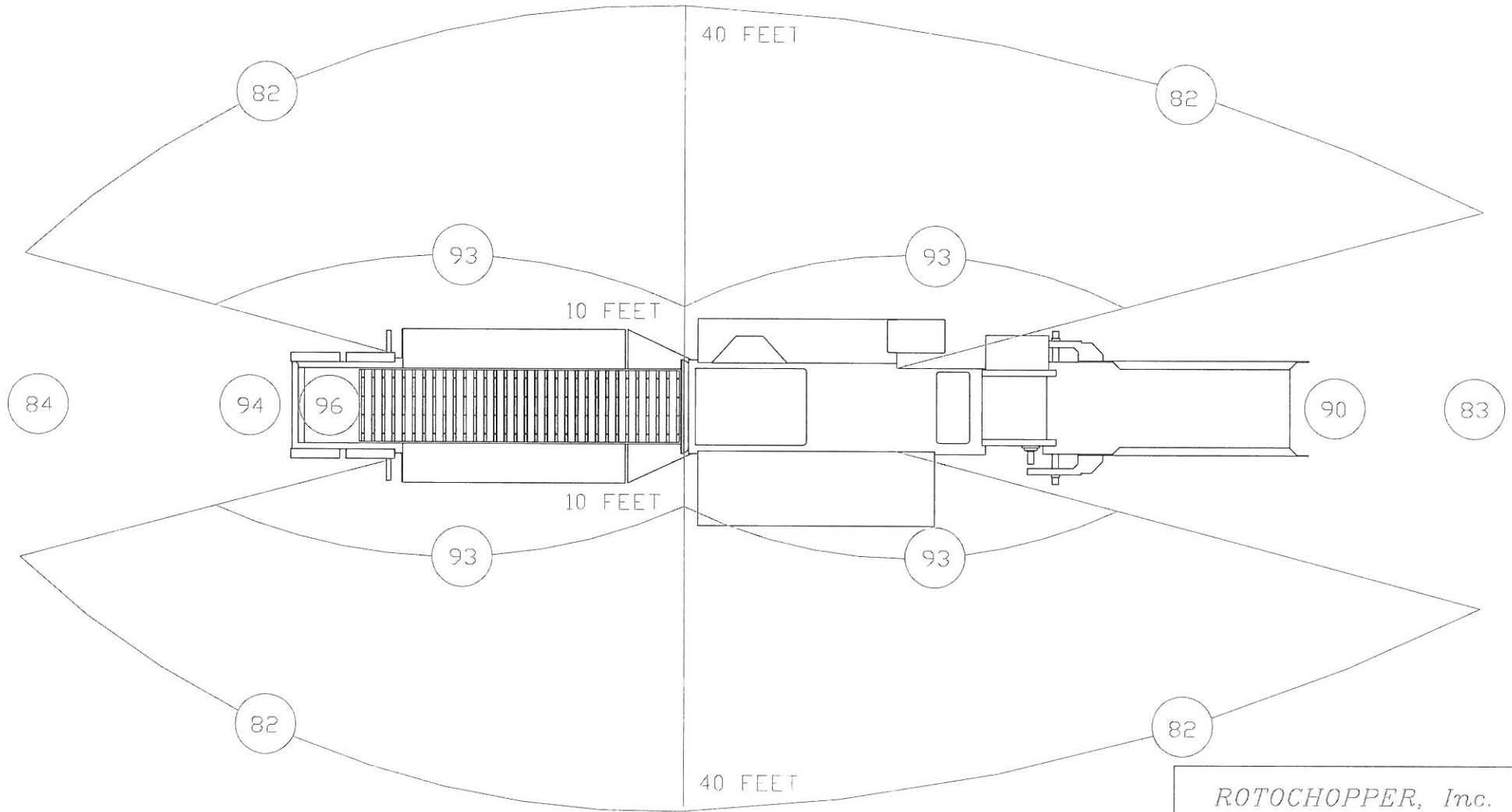


ROTOCHOPPER, Inc. HAS TAKEN THESE SOUND LEVEL READINGS UNDER THE CONDITIONS LISTED BELOW. PRODUCT MIX, BUILDING LOCATIONS, WEATHER CONDITIONS AND EQUIPMENT MAINTENANCE MAY AFFECT THE SOUND LEVELS.

REV.	REVISION DESCRIPTION	DATE
A	NEW METER READINGS	11/27/01
B		
C		



CONDITIONS:

OUTSIDE, CALM DAY, 65°F  
 BUILDINGS ON LEFT SIDE 25 YDS.  
 FULL THROTTLE, GRINDING PALLET WASTE

SOUND LEVEL METER:

RadioShack MODEL: 33-2055  
 WEIGHTING SCALE: A-CURVE FREQUENCY  
 RESPONSE: SLOW (0.5 SECOND INTERVAL)

ROTOCHOPPER, Inc.

DRAWN BY BW  
 DATE 4/25/01

TITLE SOUND LEVEL CHART  
 EC166 300 BUILDINGS

SCALE NONE DRAWING NO. DEC\_EC166 BLDGS